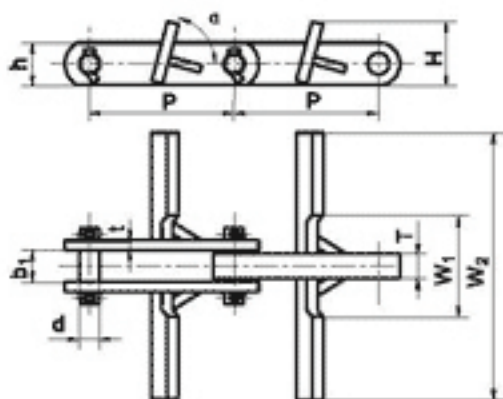
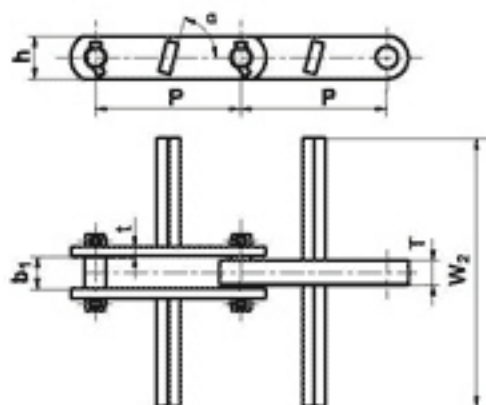


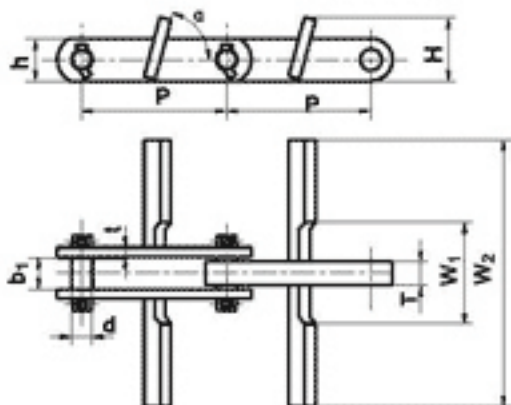
Type A



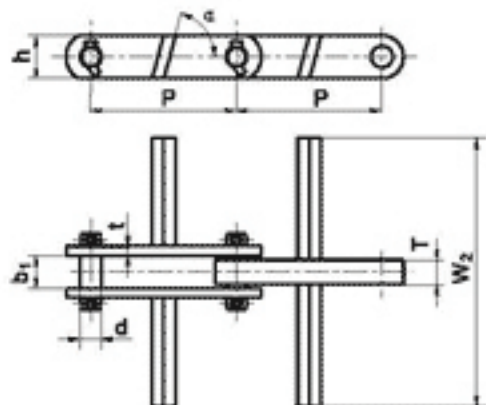
Type B



Type C



Type D



链号 Chain No.	节距 Pitch P mm	内节内宽 Width between sidebars b <sub>1</sub> (min) mm	销轴直径 Pin diameter d. mm	链板 sidebar		刮板尺寸 Scraper dimensions				最小抗拉 强度 Ultimate tensile strength Q <sub>min</sub> kN	每米净重 Weight per meter q kg/m	型号 Type
				h mm	t/T mm	W <sub>1</sub> mm	W <sub>2</sub> mm	H mm	α °			
GS31F	152.4	32.5	22	45	10/25.4	106	280	65.5	75	224.0	20.02	A
GS31FA	152.4	32.5	22	45	10/25.4	112	420	80	75	224.0	27.94	A
GS31FB	152.4	32.5	22	45	10/25.4	115	320	102	75	224.0	26.71	A
GS43F	152.4	34	22	45	12/28	115	400	80.5	90	224.0	32.04	A
HS200	152.4	32.5	22	45	10/25.4	/	160	/	75	224.0	13.05	B
HS250	152.4	32.5	22	45	10/25.4	106	210	65.5	75	224.0	14.85	C
HS250A	152.4	32.5	22	45	10/25.4	/	210	/	75	224.0	14.28	D
HS310	152.4	32.5	22	45	10/25.4	106	270	63	75	224.0	16.34	C
HS310A	152.4	32.5	22	45	10/25.4	/	270	/	75	224.0	15.42	D
HS310B	152.4	32.5	22	45	10/25.4	/	270	/	75	224.0	15.05	D
SBS4152	152.4	40.8	25.2	50.8	9.5/32	/	290	/	90	350.0	21.18	B
HS450	200	41	35	80	14/35	150	400	118.4	75	600.0	43.8	C
HS450A	200	41	35	80	14/35	/	400	/	75	600.0	40.12	D