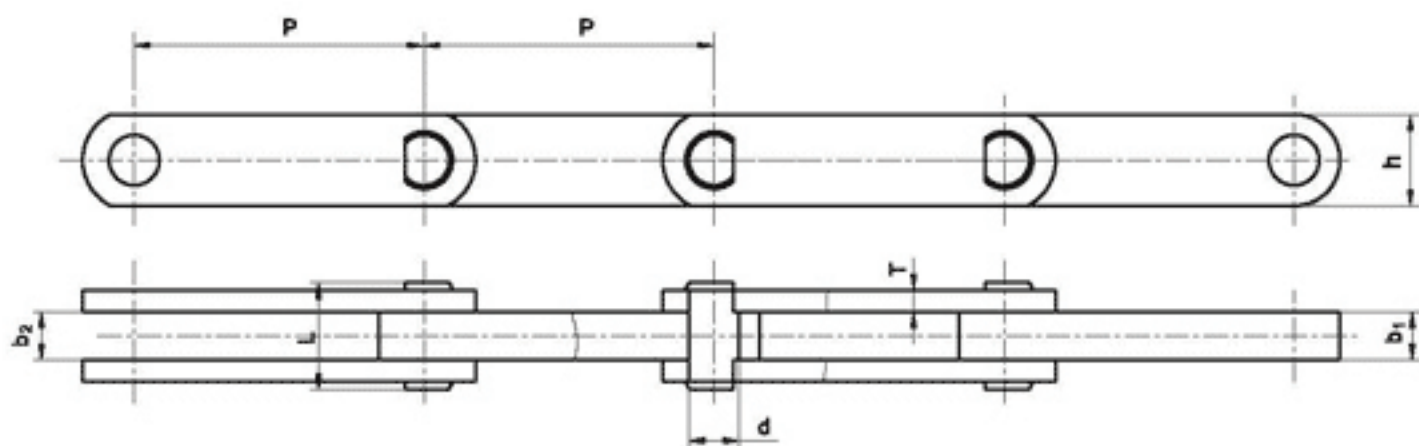
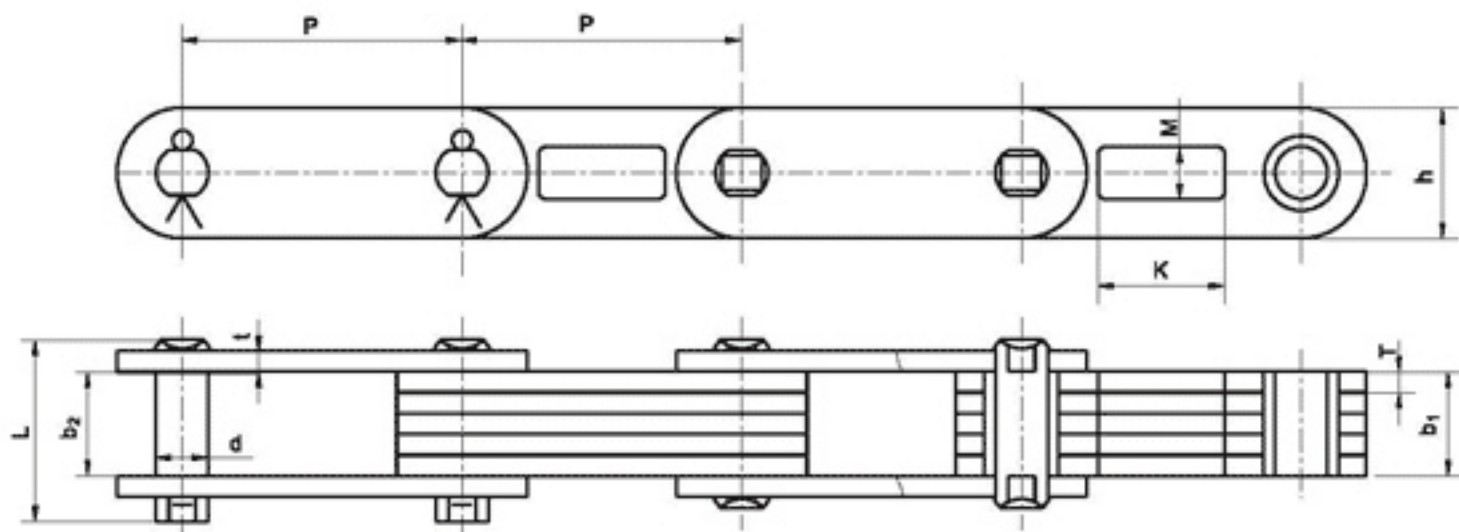


块式链

Block Chains



链号 Chain No.	节距 Pitch P mm	内链板厚度 Sidebar thickness b_1 mm	外节内宽 Width between outer sidebars b_2 (min) mm	销轴 Pin		链板 Sidebar		最小抗拉强度 Ultimate tensile strength Q_{min} kN	许用工作载荷 Rated working load kN	每米净重 Weight per meter q kg/m
				d mm	L mm	h mm	T mm			
NF90250	250	36	38	31.5	69	72	10.5	670	60.9	20.78
NF30200	200	22	23.5	18.5	51	38.1	9.5	315	28.6	7.28
BL-127	127	20	21.1	22	47.2	40	9.5	230	20.9	7.95
DL-127A	127	35	36.5	32	70.5	65	12	580	52.7	21.9



链号 Chain No.	节距 Pitch P mm	内节外宽 Width between sidebars b_1 (max) mm	外节内宽 Width between outer sidebar b_2 (min) mm	销轴 Pin		链板 Sidebar				最小抗拉强度 Ultimate tensile strength Q_{min} kN	许用工作载荷 Rated working load kN	每米净重 Weight per meter q kg/m
				d mm	L mm	h mm	t/T mm	M mm	K mm			
ZL75	75	29.5	30.3	14	51.3	35	5.6	14	34	206	18.7	6.73