



黄山牌
HS CHAIN

传递安全与可靠
Transmit Safety & Reliability

集团产品应用领域

立体停车库	汽车组装线
制糖机械	汽车发动机
冶金机械	汽车分动箱
水泥机械	食品机械
叉车	印刷机械
木材加工	制罐机械
摩托车	港口机械
自动开窗机	玻璃工业
酒、饮料及水	造纸机械
烟草机械	污水处理设备
工程机械	石油钻探机械
棕榈油机械	健身设备
乳胶手套机械	工业粉尘治理
农用机械

Application:

Tridimensional parking garage	Automobile assembly line
Sugar machinery	Automobile engine
Metallurgical machinery	Automobile transfer case
Cement machinery	Food machinery
Forklifts	Printing machinery
Wood processing	Can making machinery
Motorcycle	Port machinery
Automatic windows opener	Glass industry
Wine,Beverage and water	Papermaking machinery
Tobacco machinery	Sewage treatment equipment
Engineering machinery	Oil drilling machinery
Palm oil machinery	Fitness equipment
Latex glove machinery	Industrial dust disposing
Agricultural machinery



浙江恒久机械集团有限公司(总部)

ZHEJIANG HENGJIU MACHINERY GROUP CO.,LTD. (HQ)

地址:浙江省诸暨市迎宾路8号,邮编:311800
Address:No 8 Yingbin Road,Zhuji City,Zhejiang Province,
China PC:311800

Tel:+86-575-87212388
Fax:+86-575-87214388
E-mail:info@hengjiu-pt.com

安徽黄山恒久链传动有限公司

ANHUI HUANGSHAN HENGJIU CHAIN TRANSMISSION CO.,LTD.

地址:安徽省绩溪县生态工业园区清凉峰路18号,邮编:245300
Address:No.18 Qingliangfeng Road,Ecology Industry Zone,Jixi,
Anhui,China,PC: 245300

Tel:+86 563 8150161 8150162 (国际销售部 Foreign / External Trade)
+86 563 8150171 8150172 (国内销售部 Internal / Domestic Trade)
Fax: +86 563 8163690
E-mail:export@hschain.com.cn (国际销售部 Export Dept.)
sale@hschain.com.cn (国内销售部 Domestic Sale Dept.)

啤酒饮料领域链传动产品一揽子供应商

Supply Total Package of Chain Transmission Products for Beer & Beverage Industry

恒久集团·黄山链条
www.hschain.com.cn

目录 CONTENTS

公司简介 Company Profile ----- 01

啤酒饮料生产线产品应用简图 Application Sketch of Beer & Beverage production line ----- 04

啤酒饮料生产线产品应用简表 Product Application Table of Beer & Beverage production line ----- 06

输送用不锈钢平顶链产品 Stainless Steel Flat Top Chain ----- A00

输送用洗瓶机链产品 Bottle Washer Conveyor Chain Products ----- B00

工程输送链板链网 Engineering Conveyor Chain & Belt ----- C00

公司简介 Company Profile

安徽黄山恒久链传动有限公司（原安徽黄山链条厂，简称黄山链条），创建于1975年，隶属于浙江恒久机械集团。系中国机械通用零部件工业协会链传动分会副理事长单位，安徽省高新技术企业和出口创汇百强民营企业。

黄山链条占地面积11万平米，建筑面积7万平米。现有员工600多人，研发人员70余名。拥有生产检测设备500台套，资产3.5亿元，年产各类链条近2万吨。

1980年，黄山链条生产出第一条黄山牌不锈钢平顶链，从那时起，致力于为啤酒饮料行业提供安全、可靠和高效的产品与服务，成为黄山链条矢志不渝的追求目标。

Anhui Huangshan Hengjiu Chain Transmission Co.,Ltd (Originally named Huangshan Chain Factory) was founded in 1975, belongs to Zhejiang Hengjiu Machinery Group. It is the chairman unit of chain drive branch of CHINA GENERAL MACHINE COMPONENTS INDUSTRY ASSOCIATION, the high-tech enterprise in Anhui Province and the Top 100 Private Enterprises. that earn foreign exchange by export.

HS Chain covers an area 110,000m², building area is 70,000m². There are over 600 employees, over 70 R&D personnels. HS owns production and inspection equipment over 500 sets, asset 350 million RMB,annually production capacity around 20,000 tons.

The first Stainless Steel Flat Top Chain with (HS) brand was manufactured in 1980, since then, donating providing Safety, Reliability & Efficiency to Beer and Beverage Industry becomes HS persistent goal.



浙江恒久机械集团
ZHEJIANG HENGJIU MACHINERY GROUP



安徽黄山恒久链传动有限公司
ANHUI HUANGSHAN HENGJIU CHAIN TRANSMISSION CO.,LTD.

四十余年的创新发展

黄山链条成长为安徽省高新技术企业，建有省级企业技术中心和API、ISO9001质量管理体系，“黄山牌”工业链条被评为“安徽名牌产品”、“安徽省著名商标”和“中国驰名商标”，黄山链条成为中国通用机械工业协会认定的中国非标异型链研发生产基地。



非标异形链生产基地
Chinese Non-standard Chain
R&D Production Base



中国机械工业优质品牌
China Machinery Industry
Advanced Brand



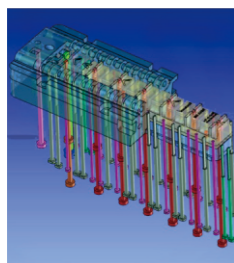
ISO9001



CE

四十余年的产品研发

黄山链条拥有门类齐全的啤酒饮料行业输送用系列产品。数字化的仿真设计、三维打印的设计验证、配备齐全的专业化检验试验设备，使黄山链条具备了个性化产品的快速研发能力，成为啤酒饮料领域链传动产品一揽子供应商。



三维设计
Three-dimension Design



3D打印机
Commercial 3d printer



直读光谱仪
Direct-reading Spectrometer



不锈钢平顶链磨损试验机
Abrasion Tester for
Stainless Steel Flat Top Chain

四十余年的技术沉淀

黄山链条成为GB/T4140《输送用平顶链和链轮》的主要起草单位，在引进吸收德国质量标准 and 制造技术基础上，自行研发了多工位平顶链自动生产线和链板表面抛光、铰链去毛刺、导向板自动焊接等专业化的技术装备，确保产品质量的一致性。



模具加工中心
Tooling manufacturing Center



塑料模具
Injection Tooling

Technological Precipitation for More Than 40 Years

Huangshan Chain has become the main drafting unit of GB/T4140 "Flat-top Chain and Sprocket for Conveying". On the basis of introducing and absorbing German quality standards and manufacturing technology, we have developed a multi-station automatic production line for flat-top chain and specialized technical equipment for chain chain surface polishing, hinge deburring and automatic welding of guide chain to ensure product quality. Consistency of quantity.



不锈钢平顶链自动生产线
Automatic Production Line for
Stainless Steel Flat Top Chain



塑料链板生产线
Production Line for
Plastic Chain & Belt

四十余年的精诚合作

在国内市场上，南京轻工机械集团、广东轻工机械二厂有限公司、浙江象山地区的信成、天鱼、大宇、海达等啤酒设备制造厂商；普华盛、中饮机械、凯麟斯等饮机制造商；百威、嘉士伯、青岛、燕京、华润雪花啤酒集团约80%的生产基地，均采用了黄山牌平顶链产品。



百威啤酒



青岛啤酒



燕京啤酒



嘉士伯啤酒



First for value



南京轻机集团



永创 通达



沛愉企业



中饮机械



凯麟斯



PROMACH



普华盛

四十余年的制链历史

黄山链条制造的是链条，传递的是安全、可靠、高效。

More than 40 years of Chain Manufacturing

We produce chain, transmit Safety, Reliability, Efficiency.

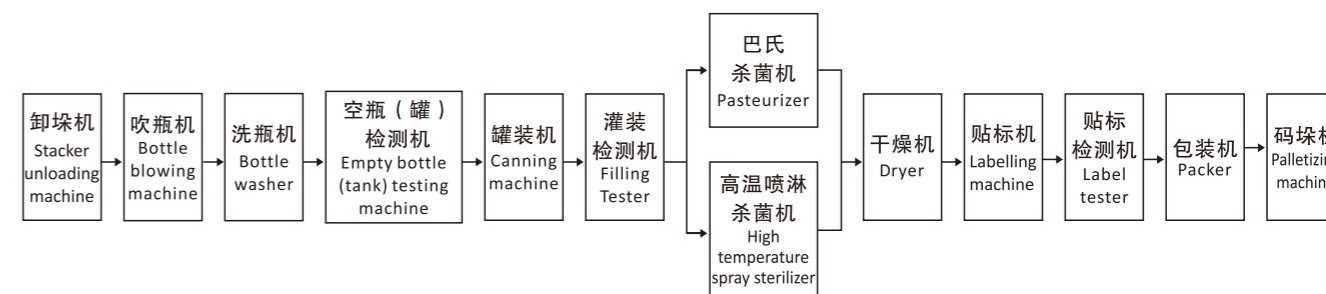


啤酒饮料生产线产品应用简图

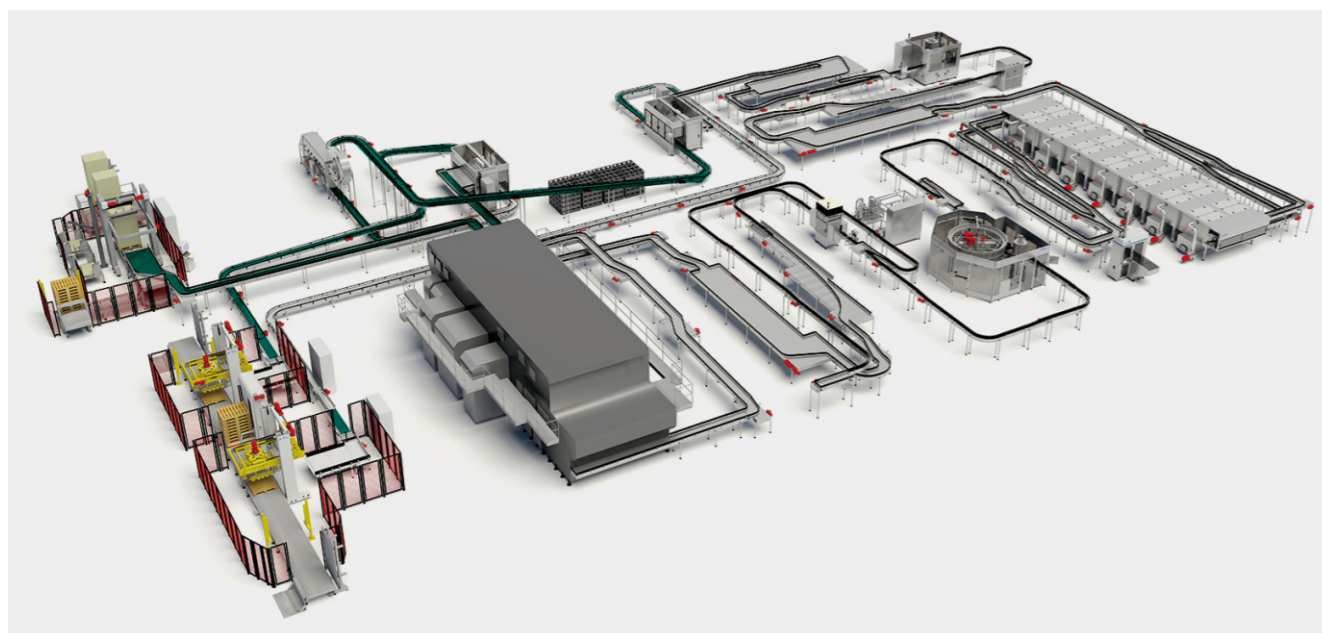
Application Sketch of Beer & Beverage production line

黄山链条提供从卸垛机到码垛机之间各环节的输送产品，其中，适合高速输送用特殊铬镍不锈钢平顶链，喷淋杀菌机用凸肋型带导向脚网链和过渡梳子板，带滚珠塑料链板，84mm公英制通用塑料链板及洗瓶机链条拥有自主知识产权。

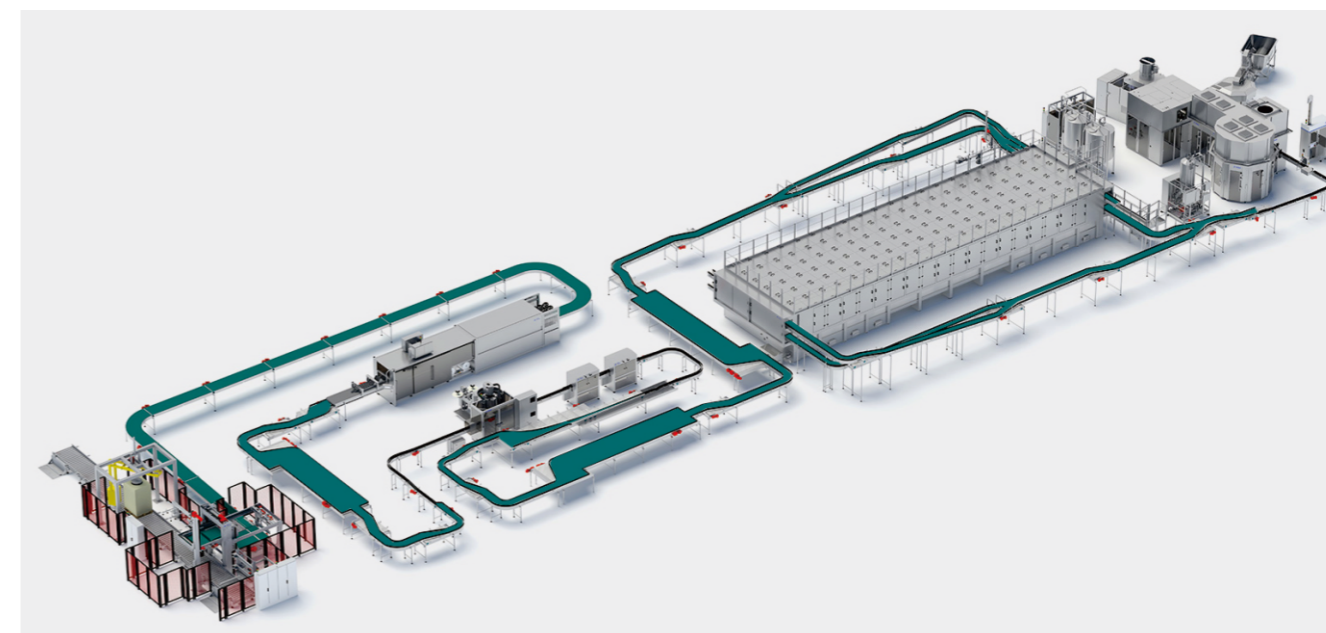
Huangshan Chain provides conveying products from stacker unloading to palletizer. Among them, special chromium-nickel stainless steel flat-top chains for high-speed conveying, convex ribbed chains with guide angle and transition comb boards for spraying sterilizer, plastic chain with rollers, 84mm metric common plastic chain and bottle washer chains have intellectual property right.



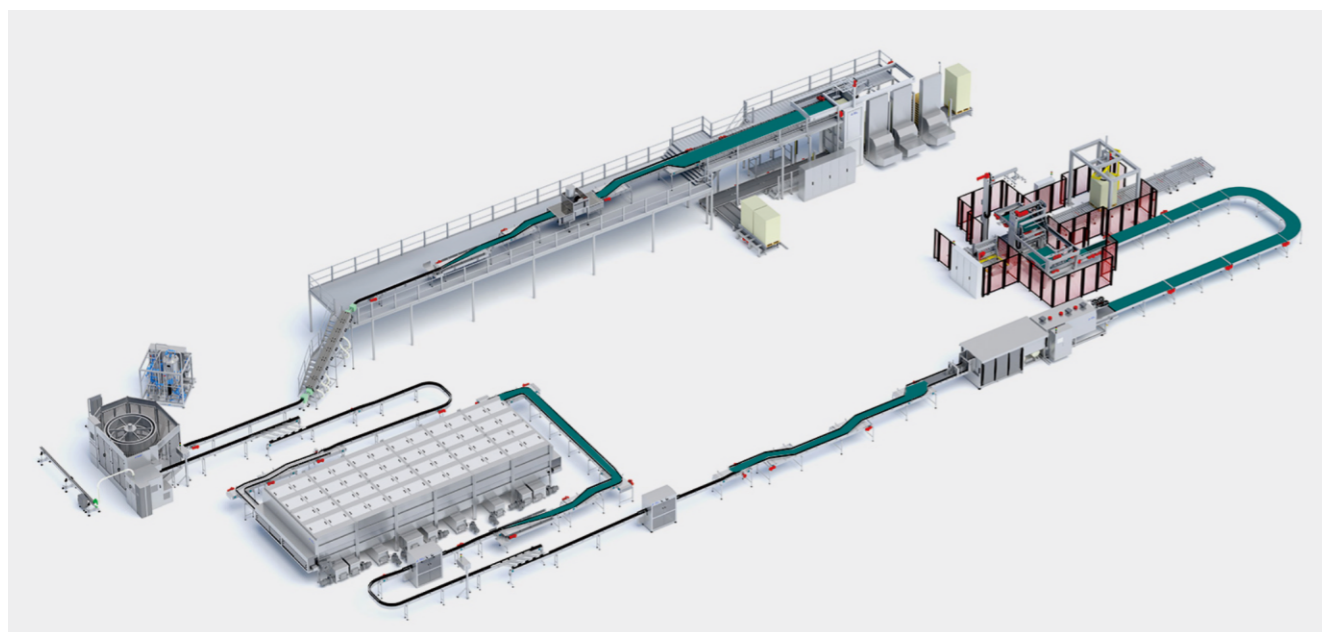
玻璃瓶啤酒生产线 Glass Bottle - Beer Production Line



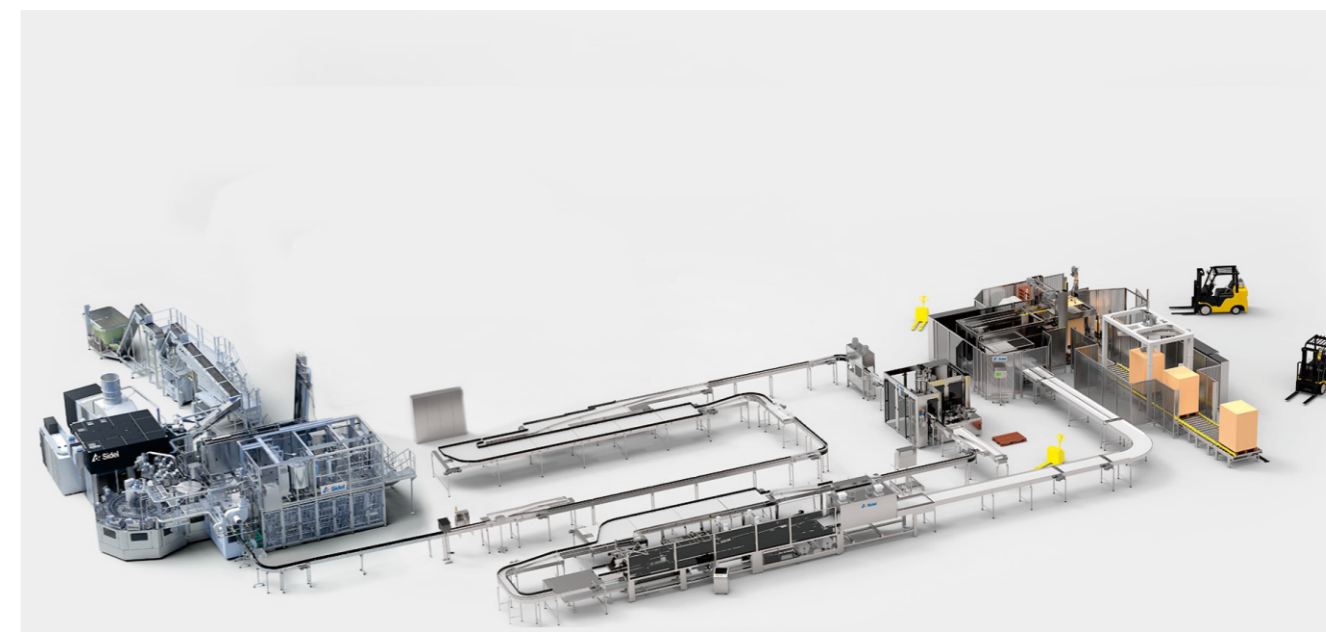
PET瓶饮料生产线 PET Bottle - Beverage Production Line



易拉罐啤酒生产生产线 Can - Beer production Line



奶制品生产线 Dairy Production Line



输送用不锈钢平顶链

Stainless Steel Flat Top Chain

产品的多样性选择

Product Diversity Choice

传递安全与可靠
Transmit Safety & Reliability



不锈钢平顶链规格多达60余种，其选型应根据输送机的使用工况来确定，涉及要素应包括但不限于如物品特性、物品对环境的要求、装载量、链条线速度、链条与导轨的摩擦系数、主从动轮间中心距、润滑条件、温度等。在润滑条件良好的条件下，平顶链的传送线速度最高可达到120m/min。

不锈钢平顶链的技术性能主要取决于其原材料和制造过程的工艺技术水平。不同的金属材料特性决定了平顶链产品的适用环境和工况条件。目前可供选择的链板材料有AISI 420、AISI 430、AISI 304和特殊铬镍钢四种，销轴材料有AISI 420、AISI 431/6658、AISI 304三种。其中AISI 420链板与AISI 420销轴、AISI 430和特殊铬镍钢链板与AISI 431销轴、AISI 304链板与AISI 431/6658或AISI 304销轴的基于材料匹配的五种装配方式。

There are more than 60 specifications of stainless steel flat-top chain, and its selection should be determined according to the working conditions of the conveyor. The factors involved should include, but not limited to, such as the characteristics of the goods, the requirements of the goods to the environment, the loading capacity, the speed of the chain, the friction coefficient between the chain and the guide rail, the center distance between the driver and driven wheels, lubrication conditions, temperature, etc. Under good lubrication conditions, the transmission line speed of flat top chain can reach 120 m/min.

The technical performance of stainless steel flat top chain mainly depends on its raw materials and technological level of manufacturing process. Different metal materials' characteristics determine the applicable environment and working conditions of flat-top chain products. At present, there are four kinds of chain chain materials for choices: AISI 420, AISI 430, AISI 304 and Special Chromium-nickel Steel. Pin materials are AISI 420, AISI 431/6658 and AISI 304. Among them, AISI 420 chain chain with AISI 420 pin, AISI 430 and Special Chromium-nickel Steel with AISI 431 pin, AISI 304 chain chain with AISI 431/6658 or AISI 304 pin are five assembly methods based on material matching.

链板、销轴材料匹配表 Chain and Pin materials Matching Table

链板材料 Chain Materials	AISI 420	AISI 430	AISI 304	AISI 304	特殊铬镍钢 Special Chromium-nickel Steel
销轴材料 Pin Materials	AISI 420	AISI 431/6658	AISI 431/6658	AISI 304	AISI 431

AISI 420为马氏体型铬不锈钢，样本中链号以C、CC和MS命名
AISI 430为铁素体型铬不锈钢，样本中链号以SS命名
AISI 304为奥氏体型铬不锈钢，样本中链号以SSA命名
特殊铬镍钢为黄山链条开发的新型材料，样本中链号以SSH命名

AISI 420 is martensitic chromium stainless steel. The chain numbers are named C, CC and MS.

AISI 430 is a ferritic chromium stainless steel. The chain number is named SS.

AISI 304 is austenitic chromium stainless steel. The chain number is named SSA.

Special chromium-nickel steel is a new material developed for Huangshan chain. The chain number is named SSH.

啤酒饮料领域链传动产品一揽子供应商

Supply Total Package of Chain Transmission Products for Beer & Beverage Industry

恒久集团·黄山链条
www.hschain.com.cn

不同材料牌号平顶链技术特性

Technical Characteristics of Flat Top Chain with Different Material Grades

链条强度

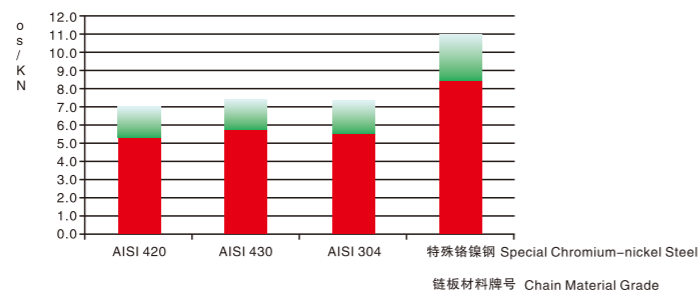
基于平顶链的卷制开式结构链板及失效伸长量不大于链条名义长度的3%的可靠性运行，其强度应定义为链条的实际屈服强度值。

以38.1*82.6规格单铰式平顶链为例，不同材料链板的链条屈服强度（绿色区）如下图表。

Chain strength

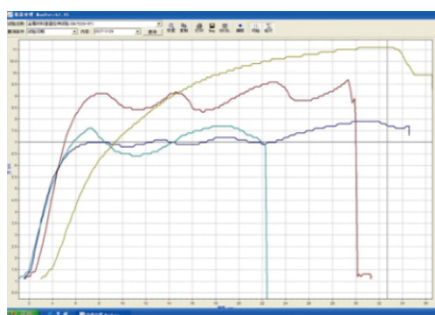
Based on the reliable operation of the open-loop structure chain chain with flat-top chain and the failure elongation not greater than 3% of the nominal length of the chain, its strength should be defined as the actual yield strength of the chain.

Taking 38.1*82.6 single-hinged flat-top chains as an example, the yield strength (green zone) of chains with different materials is shown in the following chart.

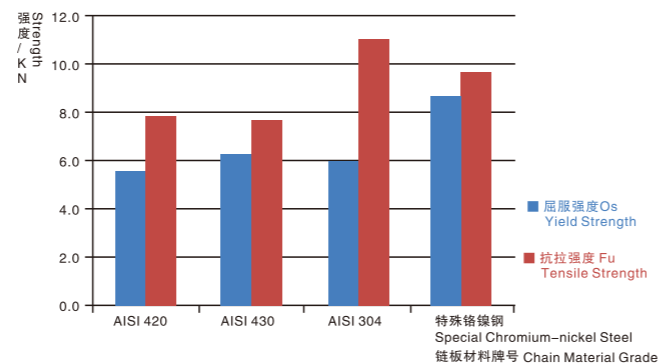


下列图表为2017年3月份在产的38.1*82.6规格单铰式平顶链，在WE-300万能材料试验机上测得的试验数据。

The following chart shows the test data of 38.1*82.6 single-hinged flat-top chains produced in March 2017 on 300 Tons universal material testing machine.



■ AISI 420
■ AISI 430
■ AISI 304
■ 特殊铬镍钢 Special Chromium-nickel Steel



链条抗磨损性能

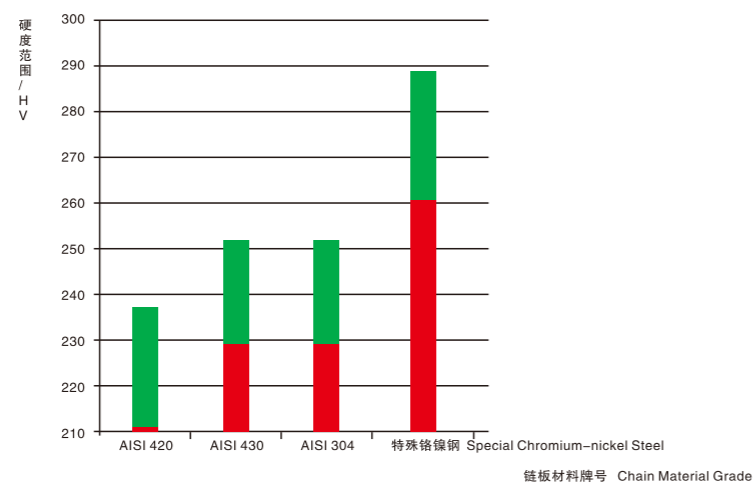
链条的抗磨损性能主要取决于链板的表面硬度和表面粗糙度值。

不同材料链板的表面硬度范围（绿色区）如下图表。

Wear Resistance of Chains

The wear resistance of the chain mainly depends on the surface hardness and roughness of the chain chain.

The surface hardness range (green zone) of chain incha with different materials is shown in the following chart.



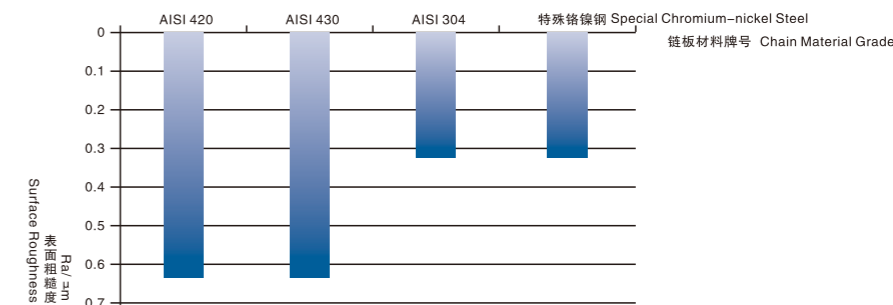
链板表面粗糙度

通常以轮廓算术平均偏差Ra值判定链板表面光滑程度。不同材料链板的表面粗糙度最大值要求如下图。

Surface roughness of chain chain

The surface smoothness of the chain chain is usually determined by the Ra value of the arithmetic mean deviation of the contour.

The maximum surface roughness of chain incha with different materials is as follows.



链条运行的平稳性

链条运行平稳性涉及因素很多，对于链条本身而言，链板表面的形状和平整度、链条的侧弯与扭曲、链板与销轴间的间隙等因素相关。

以38.1*82.6规格单铰式平顶链为例阐述工厂对于这一质量指标的控制。

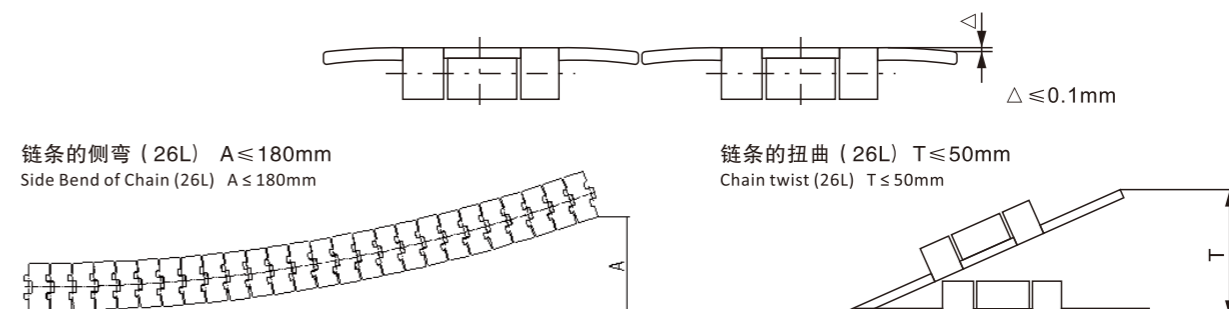
链板的形状适于多排链条之间的物品的横向移动。

Stability of Chain Performance

For the chain itself, the shape and smoothness of the surface of the chain chain, the side bending and twisting of the chain, and the gap between the chain chain and the pin shaft are related to many factors.

Taking 38.1*82.6 single-hinged flat-top chain as an example, this paper expounds the control of this quality index in the factory.

The shape of the chain chain is suitable for the transverse movement of objects between multiple chains.



同一链段，A、T的双向差值不大于30%。链段的侧弯和扭曲值集中体现较卷孔心距精度、链板较卷与销轴间的侧隙大小及链节框架的端正程度。

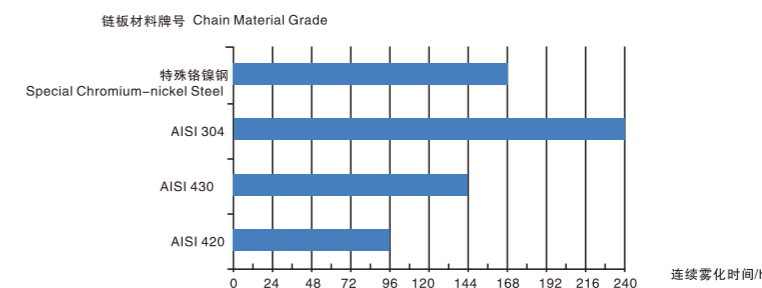
In the same chain segment, the difference between A and T is not more than 30%. The lateral bending and twisting values of the chain segment concentrate on the accuracy of the center distance of the hinge roll hole, the size of the backlash between the hinge roll and the pin shaft of the hinge chain, and the degree of the end alignment of the chain frame.

链条抗腐蚀性能

JW-60-SS盐水喷雾试验机试验，符合GB/T 10125《人造气氛腐蚀试验 盐雾试验》标准中NSS中性盐雾试验条件，不同材料的链板首次出现点蚀现象的连续雾化时间如下图表：

Corrosion Resistance of Chains

The test of JW-60-SS salt spray test machine is consistent with the neutral salt spray test conditions of GB/T 10125 "artificial atmosphere corrosion test salt spray test" standard. The continuous atomization time of the pitting phenomenon for the first time of chain incha of different materials is as follows: Chart: NSS



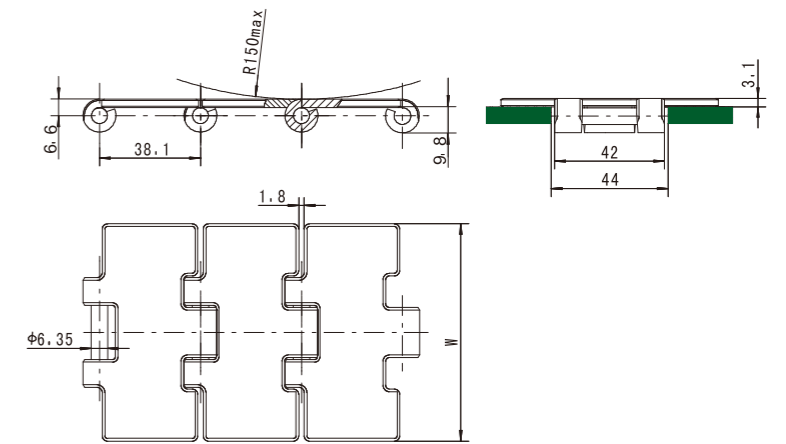
目录 CONTENTS

	page		page
	A05		A15
	A06		A16
	A07		A17
	A08		A18
	A09		A19
	A10		A20
	A11		A21
	A12		A22
	A12		A23
	A13		
	A14		

不锈钢单铰链式直输平顶链 Stainless Steel Single Hinge Straight Running Flat Top Chains

节距 P=38.1mm 812/815 系列

Pitch P=38.1mm 812/815 Series



链号 Chain No.	链板 Chain			屈服强度 Yield Strength $\sigma_{0.2}$		重量 Weight						
	材料 Material	表面粗糙度 Surface Roughness	宽度 Width (W)		kN	lbf	kg/m	lb/ft				
		μm	mm	inch								
C12S	马氏体型铬不锈钢 Martensitic Chromium Stainless Steel	0.8	76.2	3	6.25	1406	2.47	1.66				
C13S			82.5	3 1/4			2.62	1.76				
C14S			88.9	3 1/2			2.64	1.78				
C16S			101.6	4			2.76	1.85				
C18S			114.3	4 1/2			3.05	2.05				
C20S			127	5			3.34	2.24				
C24S			152.4	6			4.20	2.82				
C30S			190.5	7 1/2			5.07	3.40				
SS 812-K300			铁素体型铬不锈钢 Ferritic Chromium Stainless Steel	0.6			76.2	3	5.8	1305	2.46	1.65
SS 812-K325							82.5	3 1/4			2.60	1.75
SS 812-K330	83.8	3 19/64			2.63	1.77						
SS 812-K350	88.9	3 1/2			2.74	1.84						
SS 812-K400	101.6	4			3.03	2.04						
SS 812-K450	114.3	4 1/4			3.32	2.23						
SS 812-K600	152.4	6			4.18	2.81						
SS 812-K750	190.5	7 1/2			5.04	3.38						
SSH 815-K300	特殊铬镍钢 Special Chromium-Nickel Steel	0.3			76.2	3	8.5	1912			2.47	1.66
SSH 815-K325					82.5	3 1/4					2.62	1.76
SSH 815-K330			83.8	3 19/64	2.64	1.78						
SSH 815-K350			88.9	3 1/2	2.76	1.85						
SSH 815-K400			101.6	4	3.05	2.05						
SSH 815-K450			114.3	4 1/2	3.34	2.24						
SSH 815-K600			152.4	6	4.20	2.82						
SSH 815-K750			190.5	7 1/2	5.07	3.40						
SSA 815-K300			奥氏体型铬镍不锈钢 Austenitic Chromium-Nickel Stainless Steel	0.3	76.2	3			5.6	1260	2.51	1.70
SSA 815-K325					82.5	3 1/4					2.65	1.79
SSA 815-K330	83.8	3 19/64			2.68	1.81						
SSA 815-K350	88.9	3 1/2			2.80	1.89						
SSA 815-K400	101.6	4			3.10	2.09						
SSA 815-K450	114.3	4 1/2			3.39	2.29						
SSA 815-K600	152.4	6			4.28	2.89						
SSA 815-K750	190.5	7 1/2			5.16	3.48						

说明：1.链条遵循GB/T 4140和DIN 8153标准制造；
2.同一宽度的链板有四种不同的材料可供选择，以适用不同的工作场合；
3.供货时，每条链条的标准长度为3.048m (10ft)，计80节。

Note: 1.These chains are built in accordance with Standard GB/T 4140 and DIN 8153;
2.For the incha with the same width, there are 4 kinds of different materials to be available as an option, using to many different workplaces;
3.When supplied, the standard length of each chain is 3.048m (10ft), total 80links.

不锈钢双铰链式直输平顶链 Stainless Steel Double Hinge Straight Running Flat Top Chains

不锈钢单铰链式直输平顶链 Stainless Steel Single Hinge Straight Running Flat Top Chains

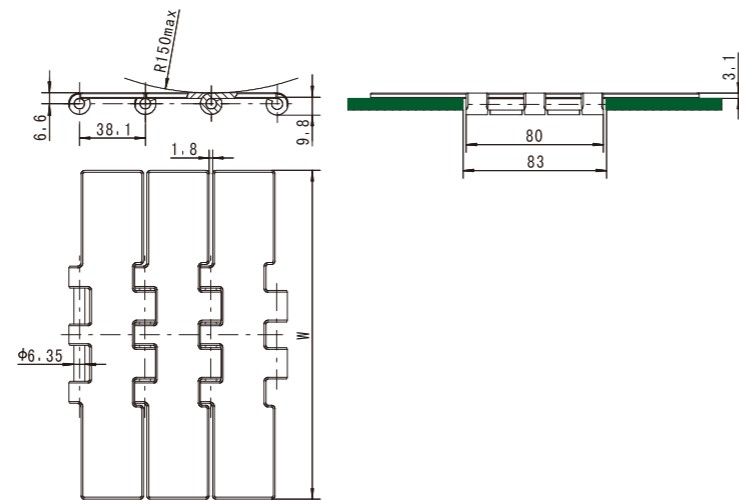
节距 P=38.1mm 802/805 系列

Pitch P=38.1mm 802/805 Series

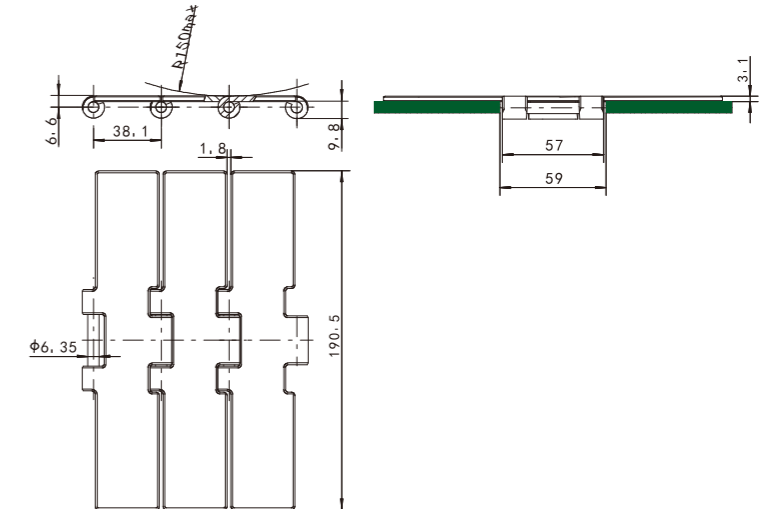
节距 P=38.1mm 8157 系列

Pitch P=38.1mm 8175 Series

802/805



8157



链号 Chain No.	链板 Chain			屈服强度 Yield Strength $\sigma_{0.2}$		重量 Weight		
	材料 Material	表面粗糙度 Surface Roughness	宽度 Width (W)		kN	lbf	kg/m	lb/ft
		μm	mm	inch				
C30D	马氏体型铬不锈钢 Martensitic Chromium Stainless Steel	0.8	190.5	7 1/2	12.5	2812	5.72	3.84
SS 802-K750	铁素体型铬不锈钢 Ferritic Chromium Stainless Steel	0.6			10.3	2317	5.68	3.82
SSH 805-K750	特殊铬镍钢 Special Chromium-Nickel Steel	0.3			15	3374	5.72	3.84
SSA 805-K750	奥氏体型铬镍不锈钢 Austenitic Chromium-Nickel Stainless Steel	0.3			10.6	2385	5.81	3.90

链号 Chain No.	链板 Chain			屈服强度 Yield Strength $\sigma_{0.2}$		重量 Weight		
	材料 Material	表面粗糙度 Surface Roughness	宽度 Width (W)		kN	lbf	kg/m	lb/ft
		μm	mm	inch				
SS 8157-K750	铁素体型铬不锈钢 Ferritic Chromium Stainless Steel	0.6	190.5	7 1/2	7.2	1620	5.30	3.56
SSH 8157-K750	特殊铬镍钢 Special Chromium-Nickel Steel	0.3			10.5	2362	5.33	3.58
SSA 8157-K750	奥氏体型铬镍不锈钢 Austenitic Chromium-Nickel Stainless Steel	0.3			7.0	1575	5.45	3.66

说明: 1.链条遵循GB/T 4140和DIN 8153标准制造;

Note: 1.These chains are built in accordance with Standard GB/T 4140 and DIN 8153;

- 2.与单铰链式链条相比, 具有近2倍的铰链宽度, 因此拥有更高的屈服强度, 属重载链条。主要应用在堆码机和重载的输箱线上;
3. 同一宽度的链板有四种不同的材料可供选择, 以适用不同的工作场合;
- 4.供货时, 每条链条的标准长度为3.048m (10ft), 计80节。

- 2.The Series feature a hinge width approx. twice that of single hinge chains, so they have a much higher yield strength and are a heavy-duty chains, being mainly used on palletizers and heavy crate conveyor;
- 3.For the incha with the same width, there are 4 kinds of different materials to be available as an option, using to many different workplaces;
- 4.When supplied, the standard length of each chain is 3.048m (10ft), total 80links.

说明: 1.重载链条, 相比于普通链条, 具有更宽的铰链和更高的屈服强度;

Note: 1.Compared with regular chains, the heavy-duty chains have a much wider hinge and much higher yield strength;

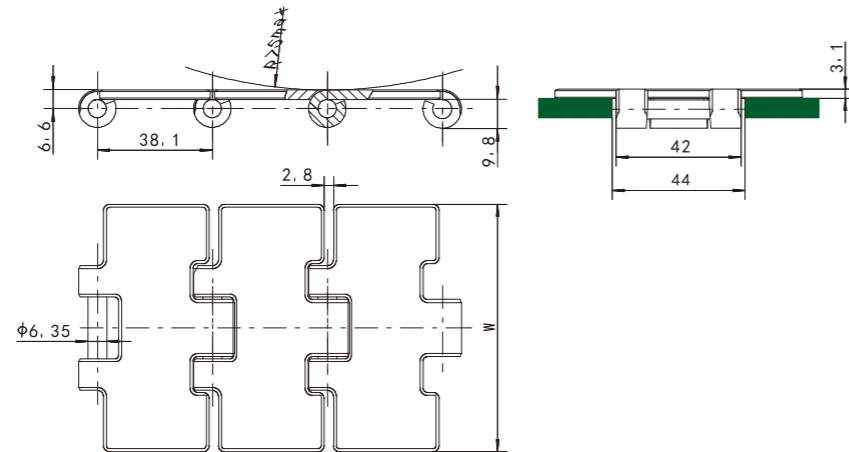
- 2.同一宽度的链板有三种不同的材料可供选择, 以适用不同的工作场合;
- 3.供货时, 每条链条的标准长度为3.048m (10ft), 计80节。

- 2.For the incha with the same width, there are 3 kinds of different materials to be available as an option, using to many different workplaces;
- 3.When supplied, the standard length of each chain is 3.048m (10ft), total 80links.

不锈钢单铰链式直输平顶链 Stainless Steel Single Hinge Straight Running Flat Top Chains

节距 P=38.1mm 812/815 系列

Pitch P=38.1mm 812/815 Series



链号 Chain No.	链板 Chain			屈服强度 Yield Strength $\sigma_{0.2}$		重量 Weight		
	材料 Material	表面粗糙度 Surface Roughness	宽度 Width (W)		kN	lbf	kg/m	lb/ft
		μm	mm	inch				
MS R815-K300	马氏体型铬不锈钢 Martensitic Chromium Stainless Steel	0.8	76.2	3	6.25	1406	2.45	1.65
MS R815-K325			82.5	3 1/4			2.59	1.74
MS R815-K330			83.8	3 19/64			2.62	1.76
MS R815-K350			88.9	3 1/2			2.73	1.84
MS R815-K400			101.6	4			3.01	2.02
MS R815-K450			114.3	4 1/4			3.29	2.21
MS R815-K600			152.4	6			4.13	2.78
MS R815-K750			190.5	7 1/2			4.97	3.34
SS R812-K300	铁素体型铬不锈钢 Ferritic Chromium Stainless Steel	0.6	76.2	3	5.8	1305	2.44	1.64
SS R812-K325			82.5	3 1/4			2.58	1.73
SS R812-K330			83.8	3 19/64			2.60	1.75
SS R812-K350			88.9	3 1/2			2.72	1.82
SS R812-K400			101.6	4			2.99	2.01
SS R812-K450			114.3	4 1/2			3.27	2.20
SS R812-K600			152.4	6			4.11	2.76
SS R812-K750			190.5	7 1/2			4.94	3.32
SSH R815-K300	特殊铬镍钢 Special Chromium-Nickel Steel	0.3	76.2	3	8.5	1912	2.45	1.65
SSH R815-K325			82.5	3 1/4			2.59	1.74
SSH R815-K330			83.8	3 19/64			2.62	1.76
SSH R815-K350			88.9	3 1/2			2.73	1.84
SSH R815-K400			101.6	4			3.01	2.02
SSH R815-K450			114.3	4 1/2			3.29	2.21
SSH R815-K600			152.4	6			4.13	2.78
SSH R815-K750			190.5	7 1/2			4.97	3.34
SSA R815-K300	奥氏体型铬镍不锈钢 Austenitic Chromium-Nickel Stainless Steel	0.3	76.2	3	5.6	1260	2.50	1.68
SSA R815-K325			82.5	3 1/4			2.64	1.78
SSA R815-K330			83.8	3 19/64			2.67	1.80
SSA R815-K350			88.9	3 1/2			2.79	1.87
SSA R815-K400			101.6	4			3.08	2.07
SSA R815-K450			114.3	4 1/2			3.36	2.26
SSA R815-K600			152.4	6			4.22	2.84
SSA R815-K750			190.5	7 1/2			5.08	3.42

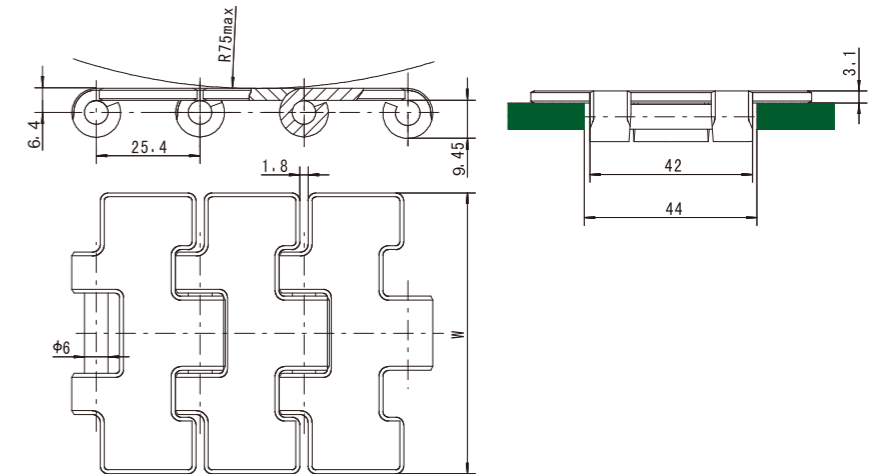
说明: 1.链条遵循GB/T 4140和DIN 8153标准制造;
2.同一宽度的链板有四种不同的材料可供选择,以适用不同的工作场合;
3.供货时,每条链条的标准长度为3.048m (10ft),计80节;
4.由于链板间的间隙为2.8mm,因此这种链条具有更小的反向弯曲半径。

Note: 1.These chains are built in accordance with Standard GB/T 4140 and DIN 8153;
2.For the incha with the same width, there are 4 kinds of different materials to be available as an option, using to many different workplaces;
3.When supplied, the standard length of each chain is 3.048m (10ft), total 80links;
4.As the gap between incha is 2.8mm, the chains has a much smaller backflexing radius.

不锈钢单铰链式直输平顶链 Stainless Steel Single Hinge Straight Running Flat Top Chains

节距 P=25.4mm 512/515 系列

Pitch P=25.4mm 512/515 Series



链号 Chain No.	链板 Chain			屈服强度 Yield Strength $\sigma_{0.2}$		重量 Weight		
	材料 Material	表面粗糙度 Surface Roughness	宽度 Width (W)		kN	lbf	kg/m	lb/ft
		μm	mm	inch				
MS 515-K217	马氏体型铬不锈钢 Martensitic Chromium Stainless Steel	0.8	55	22 1/6	4.5	1012	2.33	1.56
MS 515-K250			63.5	2 1/2			2.52	1.69
MS 515-K283			72	2 5/6			2.71	1.82
MS 515-K297			75.5	2 35/36			2.78	1.87
MS 515-K325			82.5	3 1/4			2.94	1.97
MS 515-K350			88.9	3 1/2			3.08	2.07
MS 515-K388			98.5	3 36/41			3.29	2.21
MS 515-K400			101.6	4			3.36	2.26
SS 512-K217	铁素体型铬不锈钢 Ferritic Chromium Stainless Steel	0.6	55	1/6	4.7	1057	2.33	1.56
SS 512-K250			63.5	2 1/2			2.52	1.69
SS 512-K283			72	2 5/6			2.71	1.82
SS 512-K297			75.5	2 35/36			2.78	1.87
SS 512-K325			82.5	3 1/4			2.94	1.97
SS 512-K350			88.9	3 1/2			3.08	2.07
SS 512-K388			98.5	3 36/41			3.29	2.21
SS 512-K400			101.6	4			3.36	2.26
SSA 515-K217	奥氏体型铬镍不锈钢 Austenitic Chromium-Nickel Stainless Steel	0.3	55	2 1/6	4.5	1012	2.33	1.60
SSA 515-K250			63.5	2 1/2			2.52	1.73
SSA 515-K283			72	2 5/6			2.71	1.85
SSA 515-K297			75.5	2 35/36			2.78	1.91
SSA 515-K325			82.5	3 1/4			2.94	2.01
SSA 515-K350			88.9	3 1/2			3.08	2.11
SSA 515-K388			98.5	3 36/41			3.29	2.26
SSA 515-K400			101.5	4			3.36	2.30

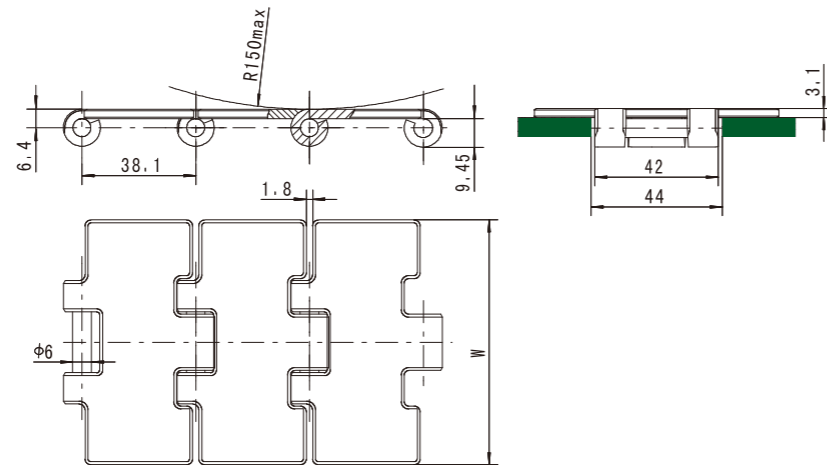
说明: 1.链条节距为25.4mm,比标准链条的节距小,是一种紧凑性设计,适于窄尺寸零件输送。在啤酒行业,主要是应用在洗瓶机设备的进出瓶装置上;
2.同一宽度的链板有三种不同的材料可供选择,以适应不同的工作场合;
3.供货时,每条链条的标准长度为3.048m (10ft),计120节。

Note: 1.The pitch of the chain is 25.4mm, and it is a compact conveyor design, suitable for the transportation of narrow dimensional components. In beer industry, these chains are mainly used on bottle input and output device of bottle washing equipment;
2.For the incha with the same width, there are 3 kinds of different materials to be available as an option, using to many different workplaces;
3.When supplied, the standard length of each chain is 3.048m (10ft), total 120 links.

不锈钢单铰链式直输平顶链 Stainless Steel Single Hinge Straight Running Flat Top Chains

节距 P=38.1mm C※S-6 系列

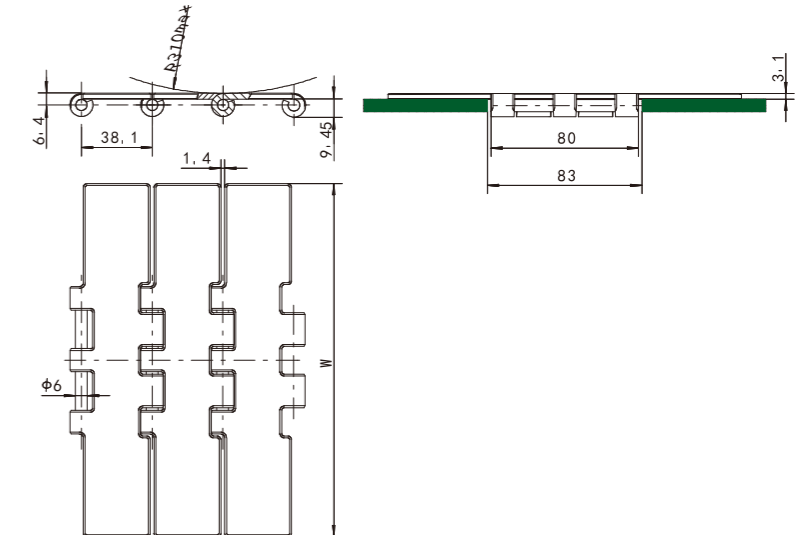
Pitch P=38.1mm C※S-6 Series



不锈钢双铰链式直输平顶链 Stainless Steel Double Hinge Straight Running Flat Top Chains

节距 P=38.1mm C※D-6 系列

Pitch P=38.1mm C※D-6 Series



链号 Chain No.	链板 Chain			屈服强度 Yield Strength $\sigma_{0.2}$		重量 Weight		
	材料 Material	表面粗糙度 Surface Roughness	宽度 Width (W)		kN	lbf	kg/m	lb/ft
		μm	mm	inch				
C12S-6	马氏体型铬不锈钢 Martensitic Chromium Stainless Steel	0.8	76.2	3	6.25	1406	2.43	1.63
C13S-6			82.5	3 1/4			2.57	1.73
C14S-6			88.9	3 1/2			2.71	1.82
C16S-6			101.6	4			3.00	2.02
C18S-6			114.3	4 1/2			3.29	2.21
C20S-6			127	5			3.58	2.40
C24S-6			152.4	6			4.15	2.79
C30S-6			190.5	7 1/2			5.02	3.37

说明: 1.销轴直径 $\phi 6$, 铰卷直径略小于GB/T4140标准系列, 可直接匹配使用GB/T4140标准链轮;
2.此系列只适合中国市场使用;
3.供货时, 每条链条的标准长度为3.048m (10ft), 计80节。

Note: 1.The dia. of pin is $\phi 6$, the hinge is slightly smaller than the dia. of the one of Standard GB/T4140, so the chains can match using the sprockets of Standard GB/T4140 directly;
2.The series are only suitable for using on the Chinese market;
3.When supplied, the standard length of each chain is 3.048m (10ft), total 80links.

链号 Chain No.	链板 Chain			屈服强度 Yield Strength $\sigma_{0.2}$		重量 Weight		
	材料 Material	表面粗糙度 Surface Roughness	宽度 Width (W)		kN	lbf	kg/m	lb/ft
		μm	mm	inch				
C18D-6	马氏体型铬不锈钢 Martensitic Chromium Stainless Steel	0.8	114.3	4 1/2	12.5	2812	3.97	2.67
C24D-6			152.4	6			4.85	3.26
C30D-6			190.5	7 1/2			5.72	3.85

说明: 1.销轴直径 $\phi 6$, 铰卷直径略小于GB/T4140标准系列, 可直接匹配使用GB/T4140标准链轮;
2.与单铰链式链条相比, 具有近2倍的胶卷宽度, 因此拥有更高的屈服强度, 属重载链条。主要应用在堆码机和重负载的输箱线上;
3.供货时, 每条链条的标准长度为3.048m (10ft), 计80节。

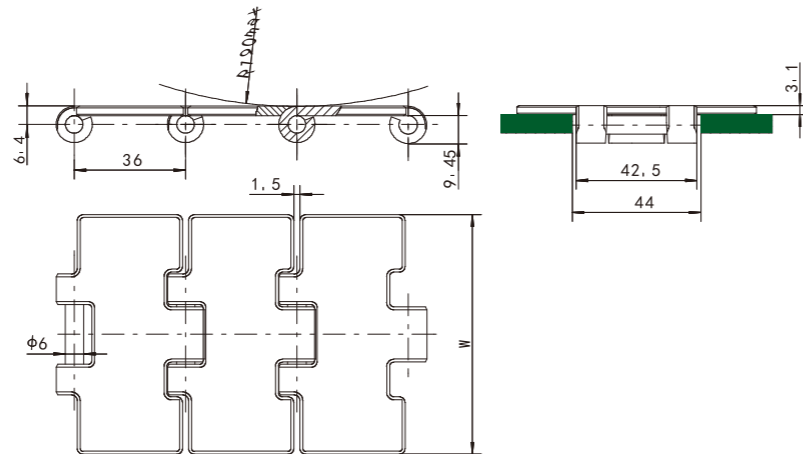
Note: 1.The dia. of pin is $\phi 6$, and the one. of the hinge is slightly smaller than the dia. of the one of the series chains of Standard GB/T4140, so the chains can match using the sprockets of Standard GB/T4140 directly;
2.The Series feature a hinge width approx. twice that of the single hinge chains, so they have a much higher yield strength and are a heavy-duty chains, being mainly used on palletizers and heavy crate conveyor;
3.When supplied, the standard length of each chain is 3.048m (10ft), total 80links.

不锈钢单铰链式直输平顶链 Stainless Steel Single Hinge Straight Running Flat Top Chains

节距 P=36mm 36-CS80 SC-CS90

Pitch P=36mm 36-CS80 SC-CS90

36-CS80 SC-CS90

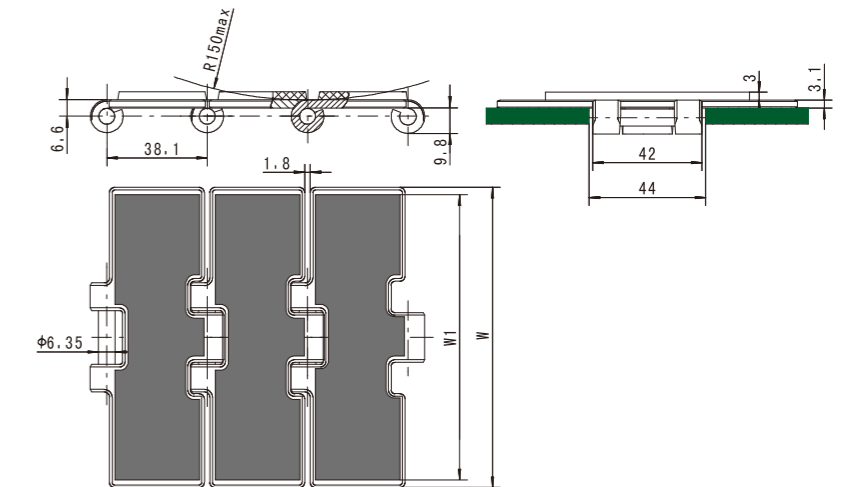
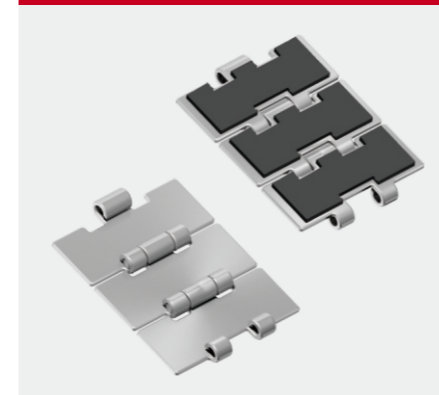


不锈钢单铰链式带硫化橡胶顶直输平顶链 Stainless Steel Single Hinge Straight Running Flat Top Chains with Vulcanized Rubber Pad

节距 P=38.1mm 812GT/815GT系列

Pitch P=38.1mm 812GT/815GT Series

812GT/815GT



链号 Chain No.	链板 Chain			屈服强度 Yield Strength σ _{0.2}		重量 Weight		
	材料 Material	表面粗糙度 Surface Roughness	宽度 Width (W)					
		μm	mm	inch	kN	lbf	kg/m	lb/ft
MS 36-CS80	马氏体型铬不锈钢 Martensitic Chromium Stainless Steel	0.8	80	3 3/20	6.25	1406	2.58	1.73
MS 36-CS90			90	3 25/46			2.80	1.88
SS 36-CS80	铁素体型铬不锈钢 Ferritic Chromium Stainless Steel	0.6	80	3 3/20	5.8	1305	2.57	1.72
SS 36-CS90			90	3 25/46			2.78	1.87
SSA 36-CS80	奥氏体型铬镍不锈钢 Austenitic Chromium-Nickel Stainless Steel	0.3	80	3 3/20	5.6	1260	2.63	1.77
SSA 36-CS90			90	3 25/46			2.86	1.92

说明: 1.链条节距为36mm, 主要用于白酒线运输;
2.同一宽度的链板有三种不同的材料可供选择, 以适用不同的工作场合;
3.供货时, 每条链条的标准长度为2.88m (10ft), 计80节。

Note: 1.The pitch of the chain is 36mm, it is mainly used in alcohol line conveying. ;
2.For the incha with the same width, there are 3 kinds of different materials to be available as an option, using to many different workplaces;
3.When supplied, the standard length of each chain is 2.88m (10ft), total 80links.

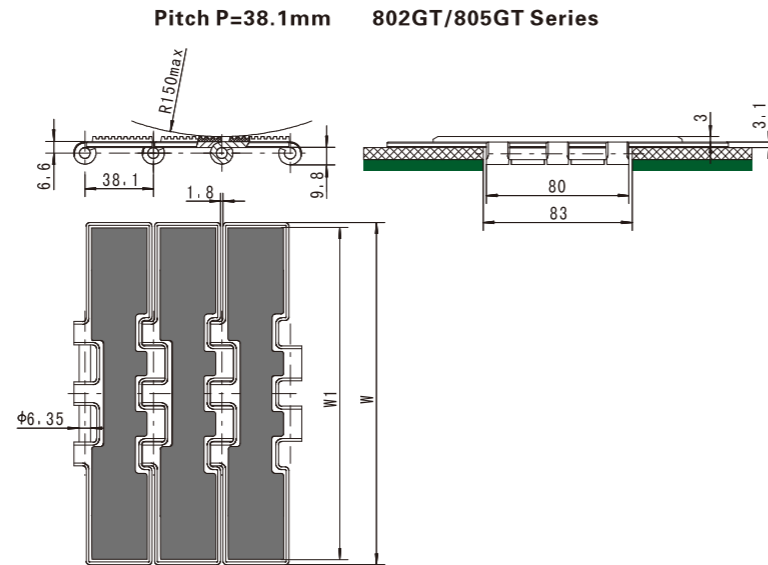
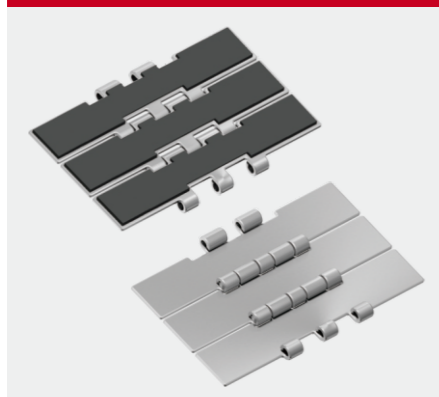
说明: 1.基型链条为815/812系列。链号后缀“GT”表示金属链板的工作面上粘有橡胶, 以提供一个良好的防滑效果。应用于止滑动要求高或角度不大于20°的倾斜输送机上;
2.工作温度-30°C至+120°C;
3.具有高的耐油、耐油脂、耐酸性能;
4.同一宽度的链板有三种不同的材料可供选择, 以适用不同的工作场合;
5.供货时, 每条链条的标准长度为3.048m (10ft), 计80节。

Note: 1.The basic chain is 815/812 Series. The suffix "GT" affixed on the chain no. indicates the working surface of the metal chain is fastened together with rubber, providing a good grip effect. The series are used on an inclined conveyor with a higher requirement of limited-slip or with an angle less than 20° inclusive;
2.Working temperature: from -30°C to +120°C;
3. With the properties of high oil resistance, grease resistance and acid-resisting;
4.For the incha with the same width, there are 3 kinds of different materials to be available as an option, using to many different workplaces;
5.When supplied, the standard length of each chain is 3.048m (10ft), total 80links.

不锈钢双铰链式带硫化橡胶顶直输平顶链
Stainless Steel Double Hinge Straight Running Flat Top Chains with Vulcanized Rubber Pad

节距 P=38.1mm 802GT/805GT系列

802GT/805GT



链号 Chain No.	链板 Chain		橡胶顶 Rubberpad		屈服强度 Yield Strength $\sigma_{0.2}$		重量 Weight			
	材料 Material	宽度 Width (W)		材料 Material	宽度 Width (W)		kN	lbf	kg/m	lb/ft
		mm	inch		mm	inch				
C30D GT	马氏体型铬不锈钢 Martensitic Chromium Stainless Steel	190.5	7 1/2	丁腈橡胶 Nitrile Butadiene Rubberr	140.00	5 22/43	12.5	2812	6.05	4.07
SS 802-K750 GT	铁素体型铬不锈钢 Ferritic Chromium Stainless Steel						10.3	2317	5.98	4.02
SSA 805-K750 GT	奥氏体型铬镍不锈钢 Austenitic Chromium-Nickel Stainless Steel						10.6	2385	6.11	4.11

说明：1.基型链条为805/802系列。链号后缀“GT”表示金属链板的工作面上粘合橡胶，以提供一个良好的防滑效果。应用于止滑动要求高或角度不大于20°的倾斜输送机上；
2.工作温度-30°C至+120°C；
3.具有高的耐油、耐油脂、耐酸性能；
4.同一宽度的链板有三种不同的材料可供选择，以适用不同的工作场合；
5.供货时，每条链条的标准长度为3.048m（10ft），计80节。

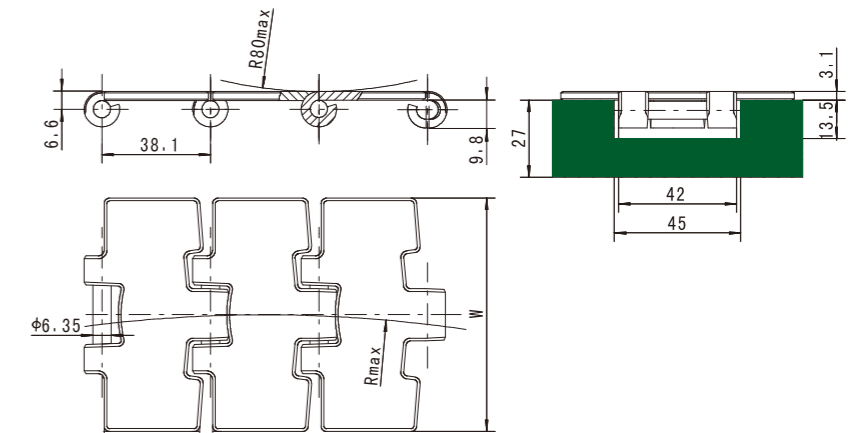
Note: 1.The basic chain is 805/802 Series. The suffix"GT" affixed on the chain no. indicates the working surface of the metal chain is stuck together with rubber, providing a good antiskid effect. The series are used on an inclined conveyor with a higher requirement of limited-slip or with an angle less than 20° incline;
2.Working temperature: from -30°C to +120°C;
3. With higher properties of oil resistance, grease resistance and acid-resisting;
4.For the incha with the same width, there are 3 kinds of different materials to be available as an option, using to many different workplaces;
5.When supplied, the standard length of each chain is 3.048m (10ft), total 80links.

不锈钢磁性侧弯平顶链 Stainless Steel Sideflexing Flat Top Chains with Magnetic

节距 P=38.1mm 8810M 系列

Pitch P=38.1mm 8810M Series

8810M



链号 Chain No.	链板 Chain			屈服强度 Yield Strength $\sigma_{0.2}$		侧弯半径 Sideflex Radius Rmax		重量 Weight		
	材料 Material	表面粗糙度 Surface Roughness	宽度 Width (W)		kN	lbf	mm	inch	kg/m	lb/ft
		μm	mm	inch						
CC13SA	马氏体型铬不锈钢	0.8	82.5	3 1/4	5.4	1215	490	19 7/24	2.54	1.71
CC18SA	Martensitic Chromium Stainless Steel		114.3	4 1/2					3.21	2.15
CC30SA			190.5	7 1/2					4.70	3.16
SS 8810M-K325	铁素体型铬不锈钢 Ferritic Chromium Stainless Steel	0.6	82.5	3 1/4	5.4	1215	490	19 7/24	2.52	1.70
SS 8810M-K330			83.8	3 19/64					2.55	1.71
SS 8810M-K450			114.3	4 1/2					3.19	2.14
SS 8810M-K750			190.5	7 1/2					4.68	3.14
SSH 8810M-K325	特殊铬镍钢 Special Chromium-Nickel Steel	0.3	82.5	3 1/4	8.5	1912	490	19 7/24	2.54	1.71
SSH 8810M-K330			83.8	3 19/64					2.57	1.72
SSH 8810M-K450			114.3	4 1/2					3.21	2.15
SSH 8810M-K750			190.5	7 1/2					4.70	3.16

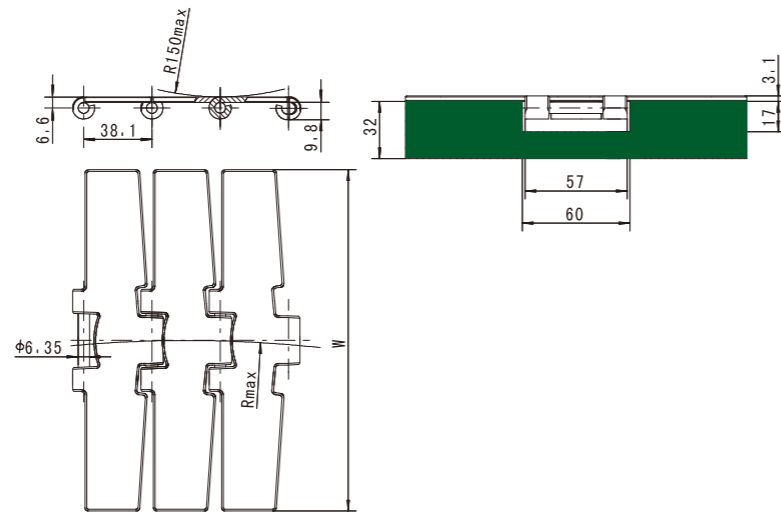
说明：1.这是一种能够在设定的轨道里进行曲线运行的链条，曲线轨道由于内镶有磁性，这些磁性与链板之间产生的吸力，能够保证链条在进行曲线运行时不发生翻倾现象；
2.这种链条的活动铰链直径略大于812/815标准型链条，但由于标准平顶链链轮齿形上存在一个2mm的齿槽中心分离量，因此侧弯平顶链可直接使用812/815标准型链条的链轮；
3.同一宽度的链板有三种不同的材料可供选择，以适用不同的工作场合；
4.供货时，每条链条的标准长度为3.048m（10ft），计80节。

Note: 1.This series of chains are able to make curved movement in a set track which is magnetically embedded. The suction generated between the magnetic and the plate ensures that the chain does not roll over during the curved movement;
2.The dia. of movable hinge of this chain is slightly larger than that of the 8157 straight running flat top chain. However, since the sprocket of 812/815 straight running flat-top chain has a 2mm pitch on the tooth profile, the sideflexing flat top chain can match with the sprocket of 812/815 straight running flat top chain;
3.For the plates with a same width, 3 kinds of different materials are available for different working circumstances;
4.Each chain is supplied with a standard length of 3.048m (10ft) with total 80 links.

不锈钢磁性侧弯平顶链 Stainless Steel Sideflexing Flat Top Chains with Magnetic

节距 P=38.1mm 8857M系列

Pitch P=38.1mm 8857M Series



链号 Chain No.	链板 Chain				屈服强度 Yield Strength $\sigma_{0.2}$		侧弯半径 Sideflex Radius Rmax		重量 Weight	
	材料 Material	表面粗糙度 Surface Roughness	宽度 Width (W)		kN	lbf	mm	inch	kg/m	lb/ft
		μm	mm	inch						
MS 8857M-K750	马氏体型铬不锈钢 Martensitic Chromium Stainless Steel	0.8	190.5	7 1/2	7.2	1620	740	29 2/15	5.05	3.39
SS 8857M-K750	铁素体型铬不锈钢 Ferritic Chromium Stainless Steel	0.6			7.2	1620			5.02	3.37
SSH 8857M-K750	特殊铬镍钢 Special Chromium-Nickel Steel	0.3			10.5	2362			5.05	3.39

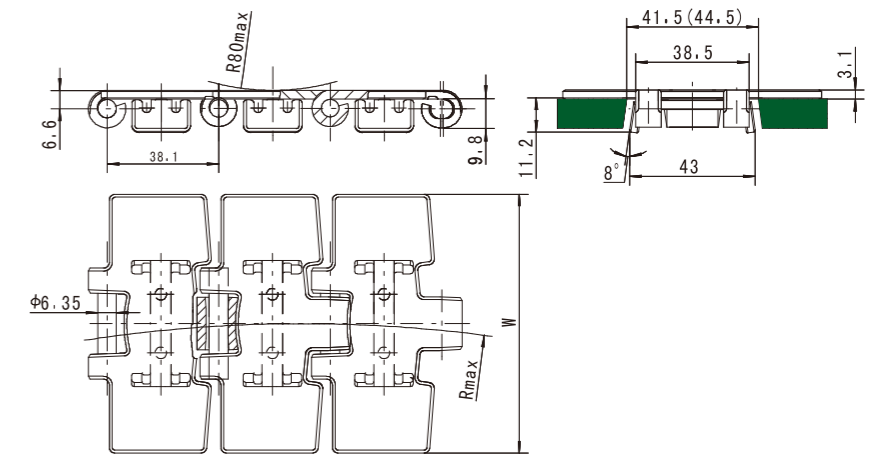
说明: 1. 这是一种能够在设定的轨道里进行曲线运行的链条, 曲线轨道由于内镶有磁性, 这些磁性与链板之间产生的吸力, 能够保证链条在进行曲线运行时不发生翻倾现象;
2. 这种链条的活动铰卷直径略大于8157直输平顶链, 但由于8157直输平顶链链轮齿形上存在一个2mm的齿槽中心分离量, 因此8857M侧弯平顶链可直接使用8157直输平顶链的链轮;
3. 同一宽度的链板有三种不同的材料可供选择, 以适用不同的工作场合;
4. 供货时, 每条链条的标准长度为3.048m (10ft), 计80节。

Note: 1.The Series are for the chains which are capable of having a curved running in a given track, as there are magnets inseted in the curved track, the force of attaction created between the magnets and the chain is capable of avoiding that the problem of overturning when the chains are having a curved running;
2.The dia. of the movable hinge is slightly larger than that of 8157 straight running flat top chains, however, as there is a 2mm center separation amount of tooth groove of the sprockets of 8157 flat top chains, the 8857M sideflexing flat top chains can use the sprockets of 8157 straight running flat chain directly;
3.For the incha with the same width, there are 3 kinds of different materials to be available as an option, using to many different workplaces;
4.When supplied, the standard length of each chain is 3.048m (10ft), total 80links.

不锈钢侧弯平顶链 Stainless Steel Sideflexing Flat Top Chains

节距 P=38.1mm 8810 系列 “门” 型导向板

Pitch P=38.1mm 8810 Series “门” Type Bevel Shoe



链号 Chain No.	链板 Chain				屈服强度 Yield Strength $\sigma_{0.2}$		侧弯半径 Sideflex Radius Rmax		重量 Weight	
	材料 Material	表面粗糙度 Surface Roughness	宽度 Width (W)		kN	lbf	mm	inch	kg/m	lb/ft
		μm	mm	inch						
SS 8810-K325	铁素体型铬不锈钢 Ferritic Chromium Stainless Steel	0.6	82.5	3 1/4	5.1	1147	490	19 7/24	2.82	1.89
SS 8810-K350			88.9	3 1/2					2.95	1.98
SS 8810-K450			114.3	4 1/2					3.48	2.34
SS 8810-K750			190.5	7 1/2					4.96	3.33
SSH 8810-K325	特殊铬镍钢 Special Chromium-Nickel Steel	0.3	82.5	3 1/4	8	1800	490	19 7/24	2.83	1.90
SSH 8810-K350			88.9	3 1/2					2.97	1.99
SSH 8810-K450			114.3	4 1/2					3.50	2.35
SSH 8810-K750			190.5	7 1/2					4.99	3.35

说明: 1. 由于链板底部焊接有8° 斜度的“门”型导向板, 因此链条在设定的轨道里进行曲线运行时, 能够消除抬起翻倾的趋势;
2. 链板与导向板焊接时, 会产生热变形, 而且焊接热影响区的色泽也会发生变化。为保持链板具有良好的平整度和外观质量, 所有经焊接的链板工作面均要完成一道研磨抛光的工序;
3. 曲线输送段导轨宽度为41.5mm, 直线输送段导轨宽度为44.5mm;
4. 同一宽度的链板有三种不同的材料可供选择, 以适用不同的工作场合。导向板材料为软质的奥氏体型铬镍不锈钢;;
5. 供货时, 每条链条的标准长度为3.048m (10ft), 计80节。

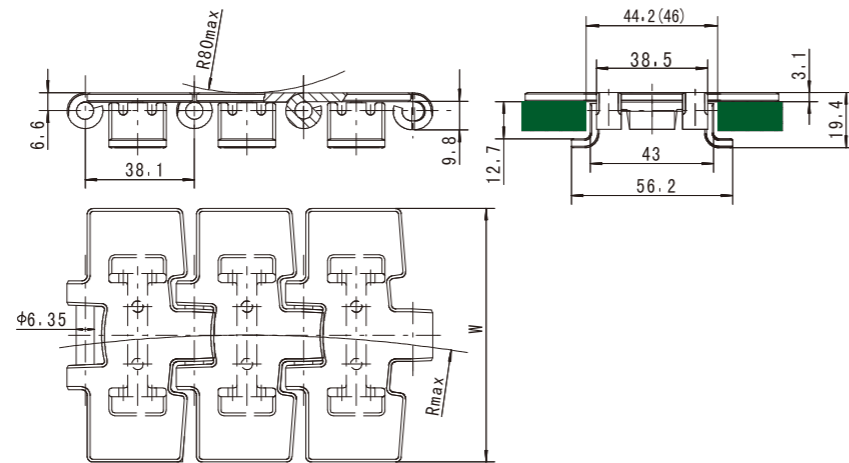
Note: 1.As the underside of chain is welded a 8° inclined "门" Type Bevel Shone,it can eliminate the trend of lifting and turning over when the chains are having a curved running in a given track;
2.When the chain and the bevel shoe are together welded, it will produce hot deformation and have a colour change in the welding heat affective area. To keep a good flatness and appearance of chain, the working surface of the chain that has been welded needs to be polished by grinding;
3.The width of the track in the curve conveying section is 41.5mm, and the one of the track in the straight conveying section is 44.5mm;
4.For the incha with the same width, there are 3 kinds of different materials to be available as an option, using to many different workplace. The material of the TAB shoe is soft Austenitic Chromium-Nickel Stainless Steel;
5.When supplied, the standard length of each chain is 3.048m (10ft), total 80links.

不锈钢侧弯平顶链 Stainless Steel Sideflexing Flat Top Chains

节距 P=38.1mm 8810TAB 系列 “L” 型导向板

Pitch P=38.1mm 8810TAB Series “L” Type TAB

8810TAB



链号 Chain No.	链板 Chain			屈服强度 Yield Strength σ _{0.2}		侧弯半径 Sideflex Radius Rmax		重量 Weight		
	材料 Material	表面粗糙度 Surface Roughness	宽度 Width (W)							
		μm	mm	inch	kN	lbf	mm	inch	kg/m	lb/ft
SS 8810 TAB-K325	铁素体型铬不锈钢 Ferritic Chromium Stainless Steel	0.6	82.5	3 1/4	5.8	1305	490	19 7/24	3.05	20.5
SS 8810 TAB-K350			88.9	3 1/2					3.19	2.14
SS 8810 TAB-K450			114.3	4 1/2					3.71	2.49
SS 8810 TAB-K750			190.5	7 1/2					5.20	3.49
SSH 8810 TAB-K325	特殊铬镍钢 Special Chromium-Nickel Steel	0.3	82.5	3 1/4	8	1800	490	19 7/24	3.07	2.06
SSH 8810 TAB-K350			88.9	3 1/2					3.20	2.15
SSH 8810 TAB-K450			114.3	4 1/2					3.73	2.51
SSH 8810 TAB-K750			190.5	7 1/2					5.22	3.51

- 说明：1.由于链板底部焊接有“L”型导向板，因此链条在设定的轨道里进行曲线运行时，能够消除抬起翻倾的趋势；
- 2.链板与导向板焊接时，会产生热变形，而且焊接热影响区的色泽也会发生变化。为保持链板具有良好的平整度和外观质量，所有经焊接的链板工作面均要完成一道研磨抛光的工序；
- 3.曲线输送段导轨宽度为44.2mm，直线输送段导轨宽度为46mm；
- 4.同一宽度的链板有两种不同的材料可供选择，以适用不同的工作场合，导向板材料为软质的奥氏体型铬镍不锈钢；
- 5.供货时，每条链条的标准长度为3.048m（10ft），计80节。

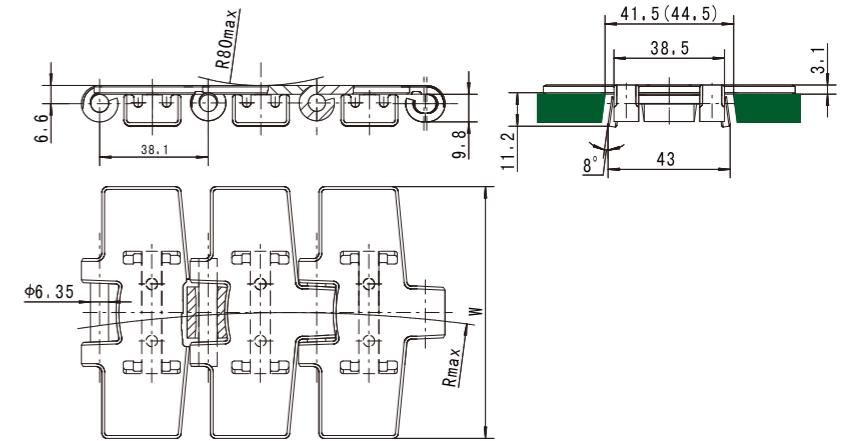
- Note: 1.As the underside of chain is welded a “L” Type TAB ,it can eliminate the trend of lifting and turning over when the chains are having a curved running in a given track;
- 2.When the chain and the TAB are together welded, it will produce hot deformation and have a colour change in the welding heat affective area. To keep a good flatness and appearance of chain, the working surface of the chain that has been welded needs to be polished by grinding;
- 3.The width of the track in the curve conveying section is 44.2mm, and the one of the track in the straight conveying section is 46mm;
- 4.For the incha with the same width, there are 3 kinds of different materials to be available as an option, using to many different workplaces. The material of the TAB is soft Austenitic Chromium-Nickel Stainless Steel;
- 5.When supplied, the standard length of each chain is 3.048m (10ft), total 80links.

不锈钢侧弯平顶链 Stainless Steel Sideflexing Flat Top Chains

节距 P=38.1mm 881 系列 “门” 型导向板

Pitch P=38.1mm 881 Series “门” Type Bevel Shoe

881



链号 Chain No.	链板 Chain			屈服强度 Yield Strength σ _{0.2}		侧弯半径 Sideflex Radius Rmax		重量 Weight		
	材料 Material	表面粗糙度 Surface Roughness	宽度 Width (W)							
		μm	mm	inch	kN	lbf	mm	inch	kg/m	lb/ft
SSA 881-K325	奥氏体型铬镍不锈钢 Austenitic Chromium-Nickel Stainless Steel	0.3	82.5	3 1/4	5.6	1260	450	17 43/60	2.85	1.91
SSA 881-K450			114.3	4 1/2					3.49	2.35
SSA 881-K750			190.5	7 1/2					4.93	3.32

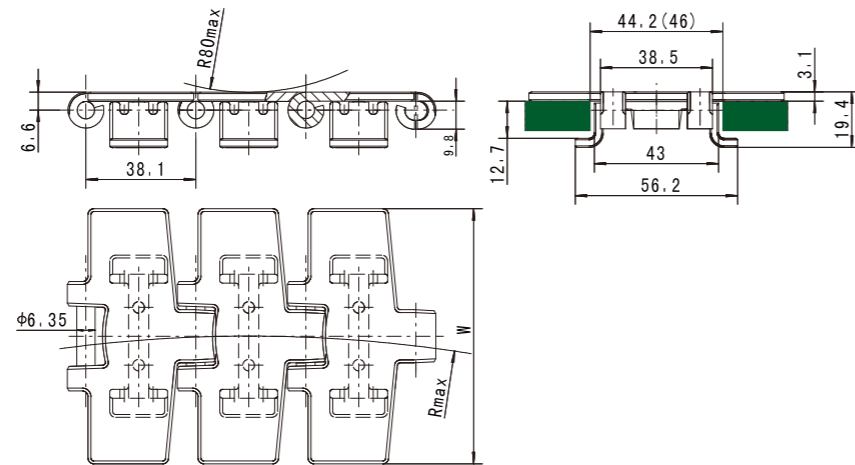
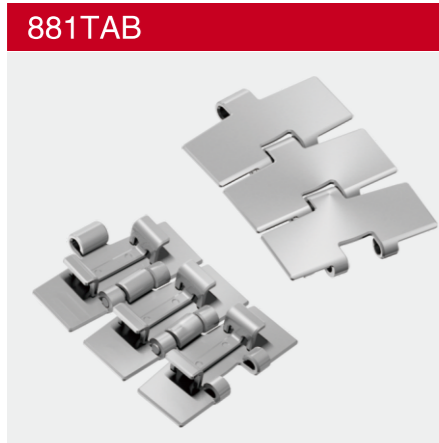
- 说明：1.由于链板底部焊接有8°斜度的“门”型导向板，因此链条在设定的轨道里进行曲线运行时，能够消除抬起翻倾的趋势；
- 2.链板与导向板焊接时，会产生热变形，而且焊接热影响区的色泽也会发生变化。为保持链板具有良好的平整度和外观质量，所有经焊接的链板工作面均要完成一道研磨抛光的工序；
- 3.曲线输送段导轨宽度为41.5mm，直线输送段导轨宽度为44.5mm；
- 4.导向板材料为软质的奥氏体型铬镍不锈钢；
- 5.供货时，每条链条的标准长度为3.048m（10ft），计80节。

- Note: 1.As the underside of chain is welded a 8° inclined “门” Type Bevel Shoe,it can eliminate the trend of lifting and turning over when the chains are having a curved running in a given track;
- 2.When the chain and the bevel shoe are together welded, it will produce hot deformation and have a colour change in the welding heat affective area. To keep a good flatness and appearance of chain, the working surface of the chain that has been welded needs to be polished by grinding;
- 3.The width of the track in the curve conveying section is 41.5mm, and the one of the track in the straight conveying section is 44.5mm;
- 4.The material of the bevel shoe is soft Austenitic Chromium-Nickel Stainless Steel;
- 5.When supplied, the standard length of each chain is 3.048m (10ft), total 80links.

不锈钢侧弯平顶链 Stainless Steel Sideflexing Flat Top Chains

节距 P=38.1mm 881TAB 系列 “L” 型导向板

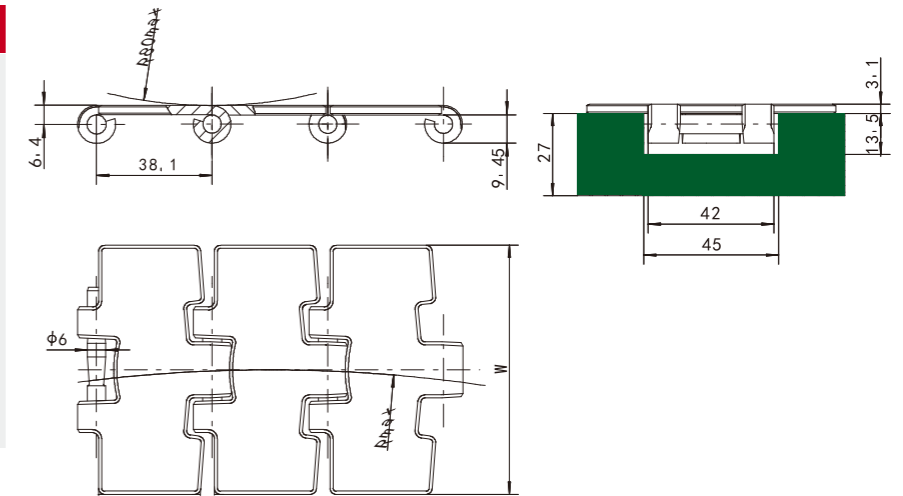
Pitch P=38.1mm 881TAB Series “L” Type TAB



不锈钢磁性侧弯平顶链 Stainless Steel Sideflexing Flat Top Chains with Magnetic System

节距 P=38.1mm CC※SA 系列

Pitch P=38.1mm CC※SA Series



链号 Chain No.	链板 Chain			屈服强度 Yield Strength $\sigma_{0.2}$		侧弯半径 Sideflex Radius Rmax		重量 Weight		
	材料 Material	表面粗糙度 Surface Roughness	宽度 Width (W)		kN	lbf	mm	inch	kg/m	lb/ft
		μm	mm	inch						
SSA 881TAB-K325	奥氏体型铬镍不锈钢 Austenitic Chromium-Nickel Stainless Steel	0.3	82.5	3 1/4	5.6	1260	450	17 43/60	3.08	2.07
SSA 881TAB-K450			114.3	4 1/2					3.73	2.50
SSA 8810TAB-K750			190.5	7 1/2					5.17	3.47

链号 Chain No.	链板 Chain			屈服强度 Yield Strength $\sigma_{0.2}$		侧弯半径 Sideflex Radius Rmax		重量 Weight				
	材料 Material	表面粗糙度 Surface Roughness	宽度 Width (W)		kN	lbf	mm	inch	kg/m	lb/ft		
		μm	mm	inch								
CC13SA-6	马氏体型铬镍不锈钢 Martensitic Chromium Stainless Steel	0.8	82.5	3 1/4	5.4	1215	490	19 1/24	2.49	1.67		
CC14SA-6			88.9	3 1/2					460	18 1/9	2.62	1.76
CC16SA-6			101.6	4					460	18 1/9	2.88	1.94
CC18SA-6			114.3	4 1/2					490	19 7/24	3.16	2.12
CC24SA-6			152.4	6					600	23 28/45	3.92	2.64
CC30SA-6			190.5	7 1/2					490	19 7/24	4.66	3.13

说明：1.由于链板底部焊接有“L”型导向板，因此链条在设定的轨道里进行曲线运行时，能够消除抬起翻倾的趋势；
2.链板与导向板焊接时，会产生热变形，而且焊接热影响区的色泽也会发生变化。为保持链板具有良好的平整度和外观质量，所有经焊接的链板工作面均要完成一道研磨抛光的工序；
3.曲线输送段导轨宽度为44.2mm，直线输送段导轨宽度为46mm；
4.导向板材料为软质的奥氏体型铬镍不锈钢；
5.供货时，每条链条的标准长度为3.048m（10ft），计80节。

Note: 1.As the underside of chain is welded a “L” Type TAB ,it can eliminate the trend of lifting and turning over when the chains are having a curved running in a given track;
2.When the chain and the TAB are together welded, it will produce hot deformation and have a colour change in the welding heat affective area. To keep a good flatness and appearance of chain, the working surface of the chain that has been welded needs to be polished by grinding;
3.The width of the track in the curve conveying section is 44.2mm, and the one of the track in the straight conveying section is 46mm;
4.The material of the TAB is soft Austenitic Chromium-Nickel Stainless Steel;
5.When supplied, the standard length of each chain is 3.048m (10ft), total 80links.

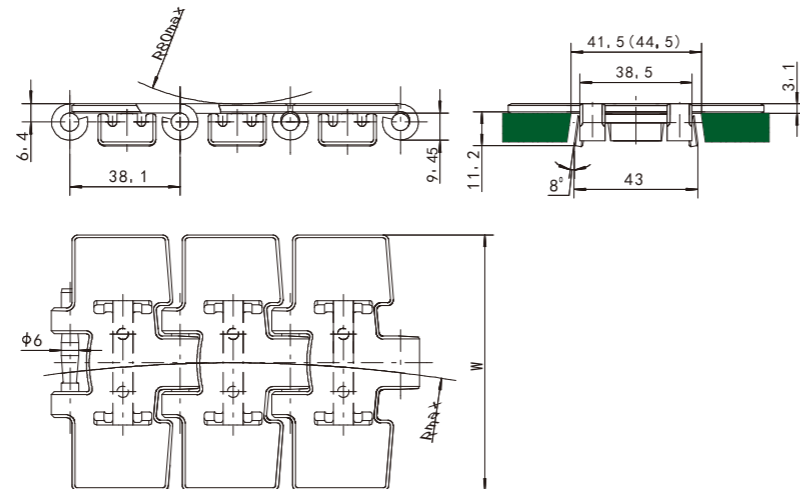
说明：1.这是一种能够在设定的轨道里进行曲线运行的链条，曲线轨道由于内镶有磁性，这些磁性与链板之间产生的吸力，能够保证链条在进行曲线运行时不发生翻倾现象；
2.这种链条的活动铰链直径略大于812/815标准型链条，但由于标准平顶链链轮齿形上存在一个2mm的齿槽中心分离量，因此侧弯平顶链可直接使用812/815标准型链条的链轮；
3.此系列链条只适合于中国市场使用；
4.供货时，每条链条的标准长度为3.048m（10ft），计80节。

Note: 1.The Series are for the chains which are capable of having a curved running in a given track, as there are magnets inseted in the curved track, the force of atctation created between the magnets and the chain is capable of assuring that the problem of overturning won't happen when the chains are having a curved running;
2.The dia. of the movable hinge of the chains is slightly larger than that of the movable hinge of 812/815 standard chains, however, as there is a 3mm pitch line clearance on the profile of a tooth of the sprockets of standard flat top chains, the sideflexing flat top chains can use the sprockets of 812/815 standard chains directly;
3.The series of chains are only suitable for using on the Chinese market;
4.When supplied, the standard length of each chain is 3.048m (10ft), total 80links.

不锈钢侧弯平顶链 Stainless Steel Sideflexing Flat Top Chains

节距 P=38.1mm CC※SB 系列 “门” 型导向板

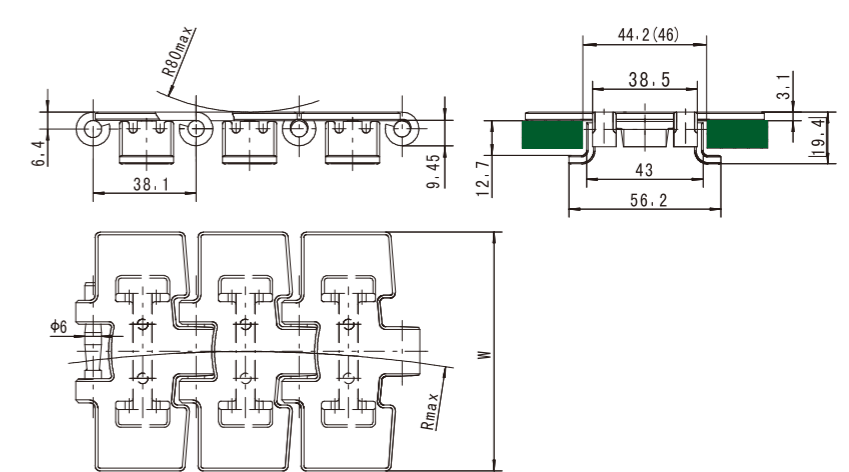
Pitch P=38.1mm CC※SB Series “门” Type Bevel



不锈钢侧弯平顶链 Stainless Steel Sideflexing Flat Top Chains

节距 P=38.1mm CC※SC 系列 “L” 型导向板

Pitch P=38.1mm 8CC※SC Series “L” Type TAB Shoe



链号 Chain No.	链板 Chain			屈服强度 Yield Strength $\sigma_{0.2}$		侧弯半径 Sideflex Radius Rmax		重量 Weight		
	材料 Material	表面粗糙度 Surface Roughness	宽度 Width (W)		kN	lbf	mm	inch	kg/m	lb/ft
		μm	mm	inch						
CC13SB-6	奥氏体型铬镍不锈钢 Austenitic Chromium-Nickel Stainless Steel	0.8	82.5	3 1/4	5.4	1147	490	19 7/24	2.85	1.91
CC14SB-6			88.9	3 1/2			460	19 7/24	2.99	2.01
CC16SB-6			101.6	4			460	18 1/9	3.21	2.16
CC18SB-6			114.3	4 1/2			490	19 7/24	3.53	2.37
CC24SB-6			152.4	6			600	23 28/45	4.28	2.88
CC30SB-6			190.5	7 1/2			490	19 7/24	5.06	3.40

链号 Chain No.	链板 Chain			屈服强度 Yield Strength $\sigma_{0.2}$		侧弯半径 Sideflex Radius Rmax		重量 Weight		
	材料 Material	表面粗糙度 Surface Roughness	宽度 Width (W)		kN	lbf	mm	inch	kg/m	lb/ft
		μm	mm	inch						
CC13SC-6	奥氏体型铬镍不锈钢 Austenitic Chromium-Nickel Stainless Steel	0.8	82.5	3 1/4	5.4	1147	490	19 7/24	3.08	2.07
CC14SC-6			88.9	3 1/2			460	19 7/24	3.21	2.16
CC16SC-6			101.6	4			460	18 1/9	3.44	2.31
CC18SC-6			114.3	4 1/2			490	19 7/24	3.76	2.52
CC24SC-6			152.4	6			600	23 28/45	4.51	3.03
CC30SC-6			190.5	7 1/2			490	19 7/24	5.28	3.55

说明：1.由于链板底部焊接有8°斜度的“门”型导向板，因此链条在设定的轨道里进行曲线运行时，能够消除抬起翻倾的趋势；
2.链板与导向板焊接时，会产生热变形，而且焊接热影响区的色泽也会发生变化。为保持链板具有良好的平整度和外观质量，所有经焊接的链板工作面均要完成一道研磨抛光的工序；
3.曲线输送段导轨宽度为41.5mm，直线输送段导轨宽度为44.5mm；
4.只系列只适合中国市场使用；
5.供货时，每条链条的标准长度为3.048m（10ft），计80节。

Note: 1.As the underside of chain is welded a 8° inclined “门” Type Bevel, it can eliminate the trend of lifting and turning over when the chains are having a curved running in a given track;
2.When the chain and the bevel are together welded, it will produce hot deformation and have a colour change in the welding heat affective area. To keep a good flatness and appearance of chain, the working surface of the chain that has been welded needs to be polished by grinding;
3.The width of the track in the curve conveying section is 41.5mm, and the one of the track in the straight conveying section is 44.5mm;
4.The Series are only suitable for using on the Chinese market;
5.When supplied, the standard length of each chain is 3.048m (10ft), total 80links.

说明：1.由于链板底部焊接有“L”型导向板，因此链条在设定的轨道里进行曲线运行时，能够消除抬起翻倾的趋势；
2.链板与导向板焊接时，会产生热变形，而且焊接热影响区的色泽也会发生变化。为保持链板具有良好的平整度和外观质量，所有经焊接的链板工作面均要完成一道研磨抛光的工序；
3.曲线输送段导轨宽度为44.2mm，直线输送段导轨宽度为46mm；
4.导向板材料为软质的奥氏体型铬镍不锈钢；
5.只系列只适合中国市场使用；
6.供货时，每条链条的标准长度为3.048m（10ft），计80节。

Note: 1.As the underside of chain is welded a “L” Type TAB Shoe, it can eliminate the trend of lifting and turning over when the chains are having a curved running in a given track;
2.When the chain and the TAB shoe are together welded, it will produce hot deformation and have a colour change in the welding heat affective area. To keep a good flatness and appearance of chain, the working surface of the chain that has been welded needs to be polished by grinding;
3.The width of the track in the curve conveying section is 44.2mm, and the one of the track in the straight conveying section is 46mm;
4.The material of the TAB shoe is soft Austenitic Chromium-Nickel Stainless Steel;
5.The Series are only suitable for using on the Chinese market;
6.When supplied, the standard length of each chain is 3.048m (10ft), total 80links.

输送用洗瓶机链产品

Bottle Washer Conveyor Chain Products

传递安全与可靠

Transmit Safety & Reliability



啤酒饮料领域链传动产品一揽子供应商

Supply Total Package of Chain Transmission Products for Beer & Beverage Industry

恒久集团·黄山链条

www.hschain.com.cn

洗瓶机链介绍

Introduction of Bottle Washer Chains

1.基于洗机链条特殊的运行工况，链条零件选择优质的合金钢制作，并通过不同的热处理方式，使链条各零件达到最佳的硬度匹配，获得更高的强度和杰出的耐磨损性能；

2.链条弯附板零件更精确的折弯和内孔精密冲挤方式的应用，零件加工精度和链条装配精度的精密控制，双排链条相对链长误差值的下降，得以保证洗瓶机链条运行时达到更平稳的输送和更精确的定位；

3.多种规格型号的洗瓶机链条可供选择，适用于2万瓶/小时、2.4万瓶/小时、3.6万瓶/小时、4万瓶/小时、4.8万瓶/小时、6万瓶/小时、的浸泡喷射式单端或双端洗瓶机设备；

4.CK-155XA-RP是一种我司创新洗瓶机链条，这种链条的滚子内孔镶有特殊工种塑料制作的免维护轴承，带来更好的抗磨损性能，同时降低了链条运行时带来的噪声，改善工作环境和减少链条后续的维护费用。

1.In view of special operating conditions of bottle washer chains, the parts are made of high quality alloy steel and heat treated by different methods, in order to make each part reaching optimum matching of hardness and to achieve higher strength and excellent wear resistance.




2.With more accurately bending on cranked att. incha and application of inner hole's precisely punch&squeeze method, and with the precision control in the accuracy of machining parts and chain assembling, the relative difference value of the chain length between double strand chains will be narrowed, thus is can ensure to reach more stable conveying and more accurately positioning when bottle washer chains are running.

3.There are various sizes and types for selection, they are suitable for using on the immersion jet type single-end or double-end bottle washing machines with 20,000 bottles/hour,24,000 bottles/hour,36000 bottles/hour, 40,000 bottles/hour, 48,000 bottles/hour and 60,000 bottles/hour.

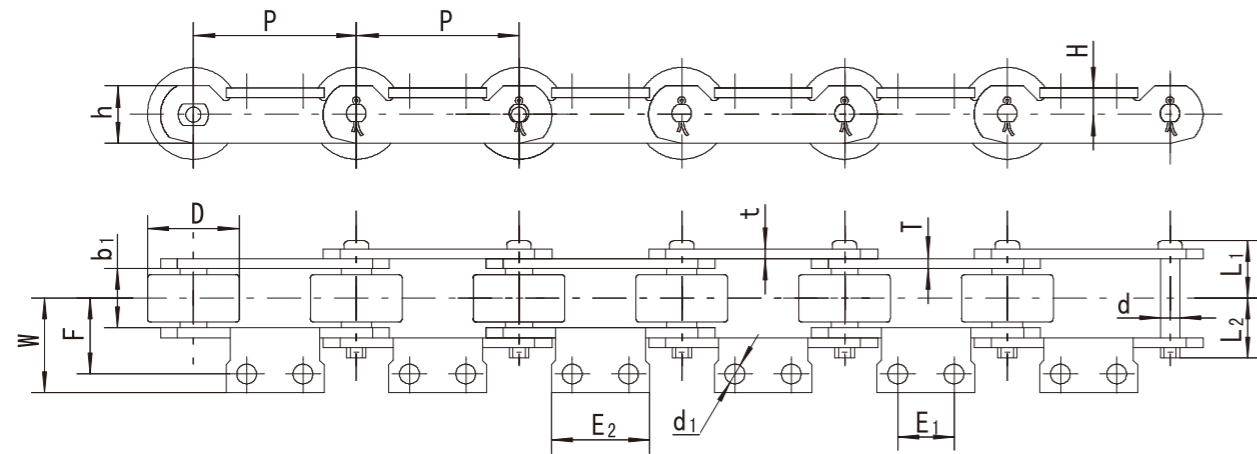
4.CK-155XA-RP is a innovative bottle washer chain we developed, the inner hole of the chain roller is set with a free maintenance bearing which is made of a special engineering plastic, it brings better wear resistance, and also, it lowers the noise produced when the chain is running, improving the working environment and reducing the follow-up maintenance cost on chains.

目录

CONTENTS

	page		page
CK	 B02	CK-90SC	 B09
CW	 B06	CK-90SE	

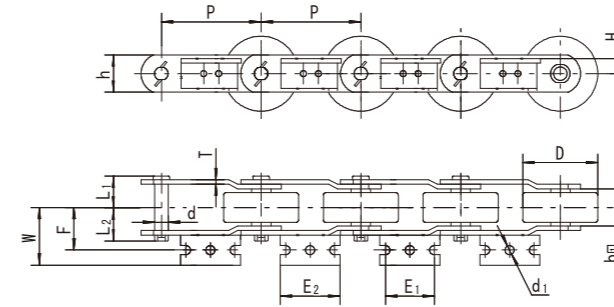
啤酒生产线 – 洗瓶机链 Beer Production Line – Bottle Washer Chains



链号 Chain No.	F	E1	E2	W	H	d1
	mm	mm	mm	mm	mm	mm
CK-133X	51.5	46	80	66.9	20.5	16.2
CK-133XB	51.5	46	80	66.9	20.5	16.2
CK-133XE	51.5	46	80	66.9	20.5	16.2
CK-133XG	51.5	46	80	66.9	20.5	16.2

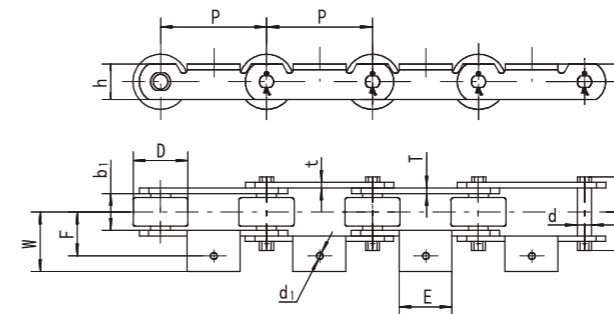
链号 Chain No.	节距 Pitch	内节内宽 Width between inner sidebars	滚子外径 Roller Diameter	销轴 Pin			链板 Sidebar		最小抗拉强度 Ultimate tensile strength	每米净重 Weight per meter
	p	b1(min)	D(max)	d1	L1	L2	h	t/T	Fu(min)	q
	mm	mm	mm	mm	mm	mm	mm	mm	kN	kg/m
CK-133X	133	30	75	16	31.3	35.7	47	6	180	13.84
CK-133XB	133	30	75	16	32.8	34.3	47	6	180	13.86
CK-133XE	133	30	100	16	32.8	34.3	47	6	180	19.32
CK-133XG	133	30	75	16	36.8	41.2	47	6	240	16.15

啤酒生产线 – 洗瓶机链 Beer Production Line – Bottle Washer Chains



F	E1	E2	W	H	d1
mm	mm	mm	mm	mm	mm
48	65	80	68	20	12.1

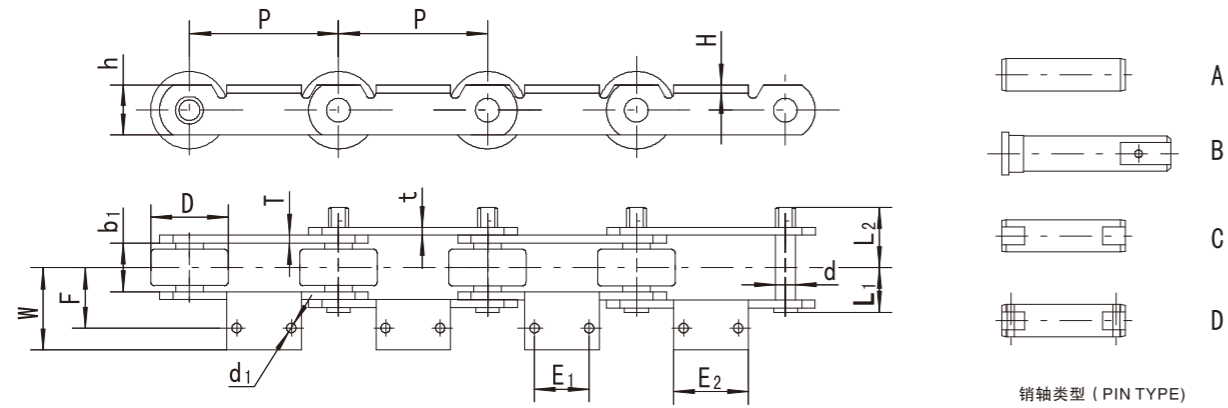
链号 Chain No.	节距 Pitch	内节内宽 Width between inner sidebars	滚子外径 Roller Diameter	销轴 Pin			链板 Sidebar		最小抗拉强度 Ultimate tensile strength	每米净重 Weight per meter
	p	b1(min)	D(max)	d1	L1	L2	h	t/T	Fu(min)	q
	mm	mm	mm	mm	mm	mm	mm	mm	kN	kg/m
CK-133A	133	30	100	18	33	35	50	6	160	21.2



F	E	H	W	d1
mm	mm	mm	mm	mm
55	82	30	72	M16
55	115	30	72	M16

链号 Chain No.	节距 Pitch	内节内宽 Width between inner sidebars	滚子外径 Roller Diameter	销轴 Pin			链板 Sidebar		最小抗拉强度 Ultimate tensile strength	每米净重 Weight per meter
	p	b1(min)	D(max)	d1	L1	L2	h	t/T	Fu(min)	q
	mm	mm	mm	mm	mm	mm	mm	mm	kN	kg/m
CK-135XC	135	29	90	25	35.7	41.3	58	8	275	20.9
CK-169X	169	30	90	25	41.5	41.5	60	8	224	19

啤酒生产线 – 洗瓶机链 Beer Production Line – Bottle Washer Chains



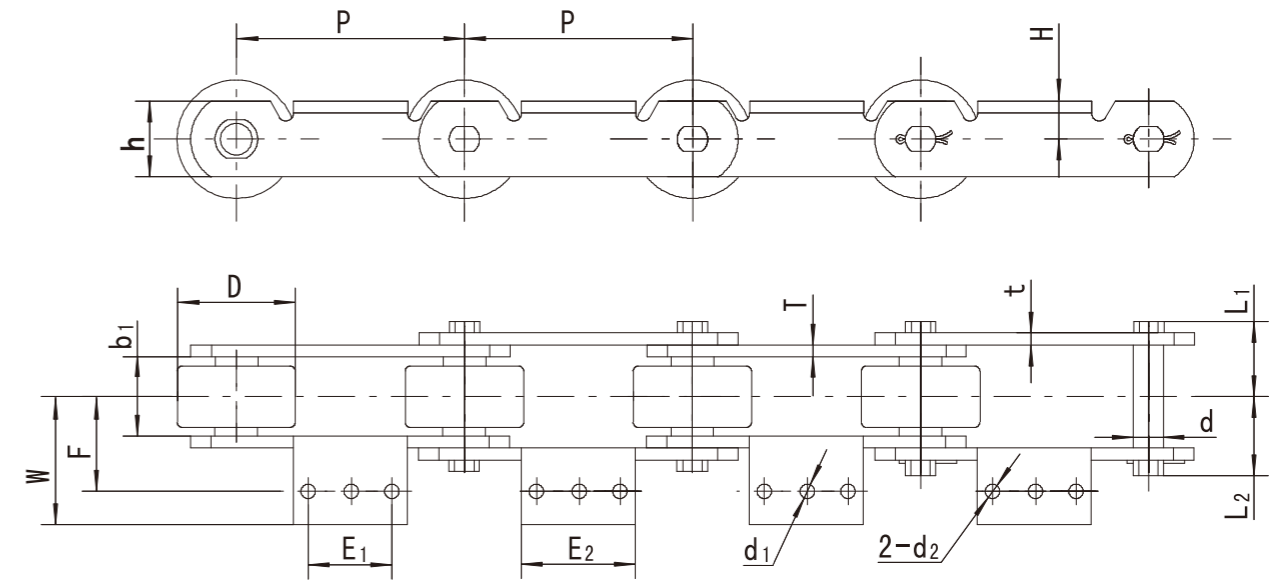
销轴类型 (PIN TYPE)

链号 Chain No.	F	E1	E2	W	H	d1	类型 Type
	mm	mm	mm	mm	mm	mm	
CK-139.7-SK2	34.8	50.8	76.2	49.7	20.5	12.2	A
CK-150XA	55	55	75	77.2	25	M12	B
CK-155XA	55	65	84	69	30.5	M12	C
CK-160X	61.5	70	104	74.1	36	13	A
CK-160XA	50	60	90	68	30	M12	C
CK-160XC	58.5	70	104	71.2	35	13	A
CK-160XC	56	80	104	70	30	M10	C
CK-160XE	57.5	80	104	70	30.5	M10	C
CK-169XA	55	50	115	72	30	13	D



链号 Chain No.	节距 Pitch	内节内宽 Width between inner sidebars	滚子外径 Roller Diameter	销轴 Pin			链板 Sidebar		最小抗拉强度 Ultimate tensile strength	每米净重 Weight per meter
	p	b1(min)	D(max)	d	L1	L2	h	t/T	Fu(min)	q
	mm	mm	mm	mm	mm	mm	mm	mm	kN	kg/m
CK-139.7-SK2	139.7	21.6	63	14.5	27.6	34.1	32	4.8/8	130	8.4
CK-150XA	150	37	78	20	39.3	55.3	50	8	210	18.7
CK-155XA	155	38	97	25	42.5	47.5	60	8	346	25
CK-160X	160	36	75	18	39	44	45	8	116	16.1
CK-160XA	160	33.7	80	20	38	43	50	8	210	17.4
CK-160XC	160	36	75	18	39	44	45	8	116	16
CK-160XC	160	42.8	89	20	42.15	57.25	60	8	280	22.5
CK-160XE	160	42.8	87	20	42.15	46.15	61	8	280	22.6
CK-169XA	169	30	90	25	41.5	41.5	60	8	224	19

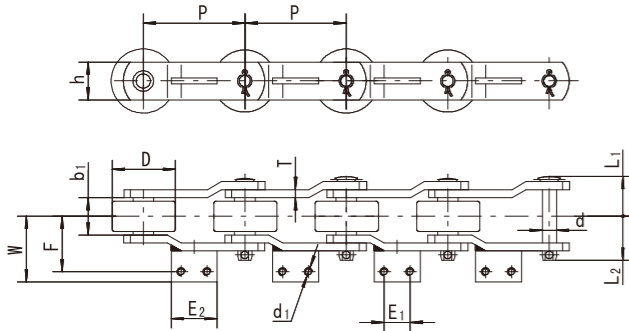
啤酒生产线 – 洗瓶机链 Beer Production Line – Bottle Washer Chains



链号 Chain No.	F	E1	E2	W	H	d1	d2
	mm	mm	mm	mm	mm	mm	mm
CK-140X	69	50	76	83	25	M16	11.1
CK-155X	55	65	99	70	30	M12	M12
CK-155XD	55	65	99	70	30	M12	M12
CK-155XE	55	65	84	69	30.5	M12	M12
CK-165XA	69	50	75	83	25	12	M12
CK-1XB	69	50	75	83	25	M16	12
CK-1XE	69	50	75	83	25	M16	10.6

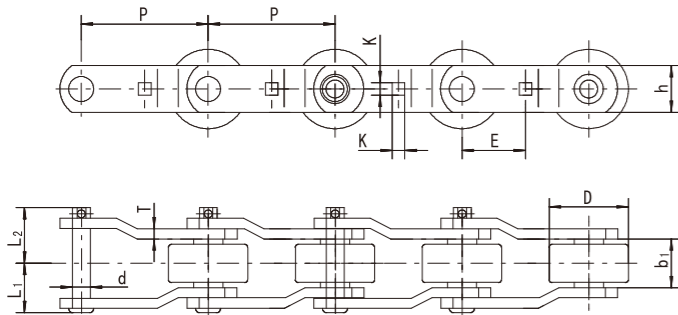
链号 Chain No.	节距 Pitch	内节内宽 Width between inner sidebars	滚子外径 Roller Diameter	销轴 Pin			链板 Sidebar		最小抗拉强度 Ultimate tensile strength	每米净重 Weight per meter
	p	b1(min)	D(max)	d	L1	L2	h	t/T	Fu(min)	q
	mm	mm	mm	mm	mm	mm	mm	mm	kN	kg/m
CK-140X	140	40	80	20	41	45	50	8	210	20.2
CK-155X	155	38	97	20	39.6	44.8	50	8	196	22.8
CK-155XD	155	34	80	20	37.3	42.5	50	8	196	18.7
CK-155XE	155	38	97	25	42.5	47.5	60	8	346	24.8
CK-165XA	165	39.8	80	20	41	46	50	8	190	17.6
CK-1XB	165	39.8	80	20	41	46	50	8	190	17.7
CK-1XE	165	39.8	80	20	41	46	50	8	190	17.7

啤酒生产线 – 洗瓶机链 Beer Production Line – Bottle Washer Chains



链号 Chain No.	F	E1	E2	W	d1
	mm	mm	mm	mm	mm
CW-127A	49.1	50	74	60.1	M10
CW-127B	48.6	40	60	60.6	M10

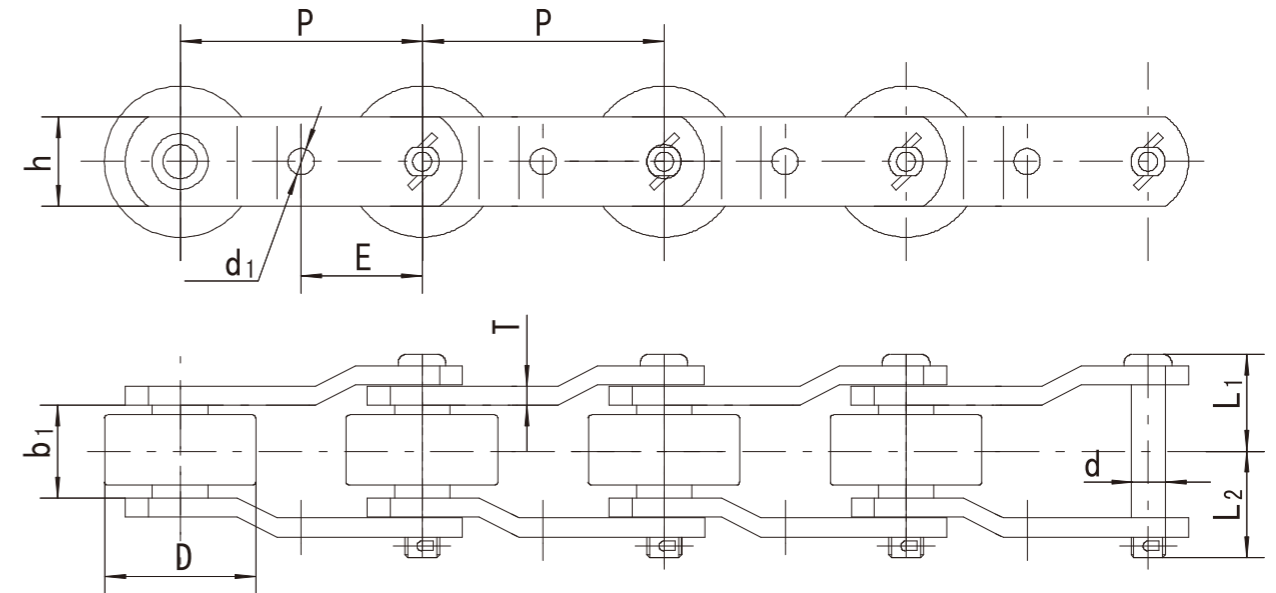
链号 Chain No.	节距 Pitch	内节内宽 Width between inner sidebars	滚子外径 Roller Diameter	销轴 Pin		链板 Sidebar		最小抗拉强度 Ultimate tensile strength	每米净重 Weight per meter	
	p	b1(min)	D(max)	d	L1	L2	h	t/T	Fu(min)	q
	mm	mm	mm	mm	mm	mm	mm	mm	kN	kg/m
CW-127A	127	24	63.5	14.32	32.2	38.8	37.5	9	150	12.6
CW-127B	127	24	63.5	14.32	32.2	38.8	37.5	9	150	12.4



E1	K
mm	mm
54	11.1

链号 Chain No.	节距 Pitch	内节内宽 Width between inner sidebars	滚子外径 Roller Diameter	销轴 Pin		链板 Sidebar		最小抗拉强度 Ultimate tensile strength	每米净重 Weight per meter	
	p	b1(min)	D(max)	d	L1	L2	h	t/T	Fu(min)	q
	mm	mm	mm	mm	mm	mm	mm	mm	kN	kg/m
CW-107.95	107.95	31.4	63.5	15.65	35.1	37.9	44	6.4	137.8	13.32

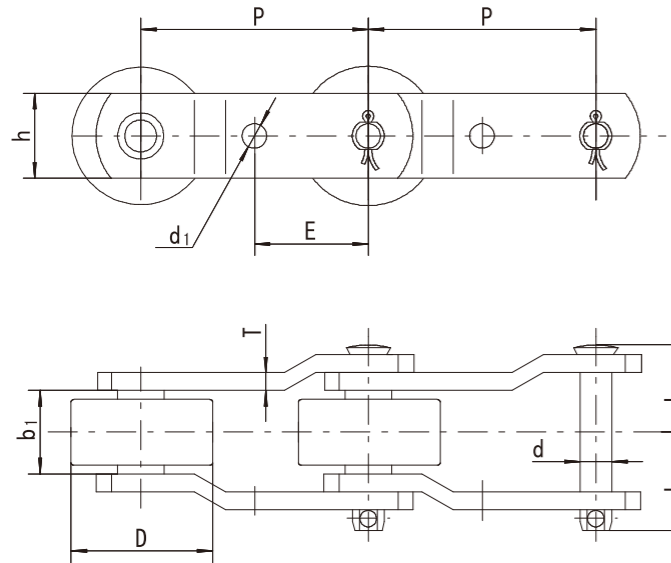
啤酒生产线 – 洗瓶机链 Beer Production Line – Bottle Washer Chains



链号 Chain No.	E	d1
	mm	mm
CW-101.6	50.8	11
CW-101.6B	50.8	11

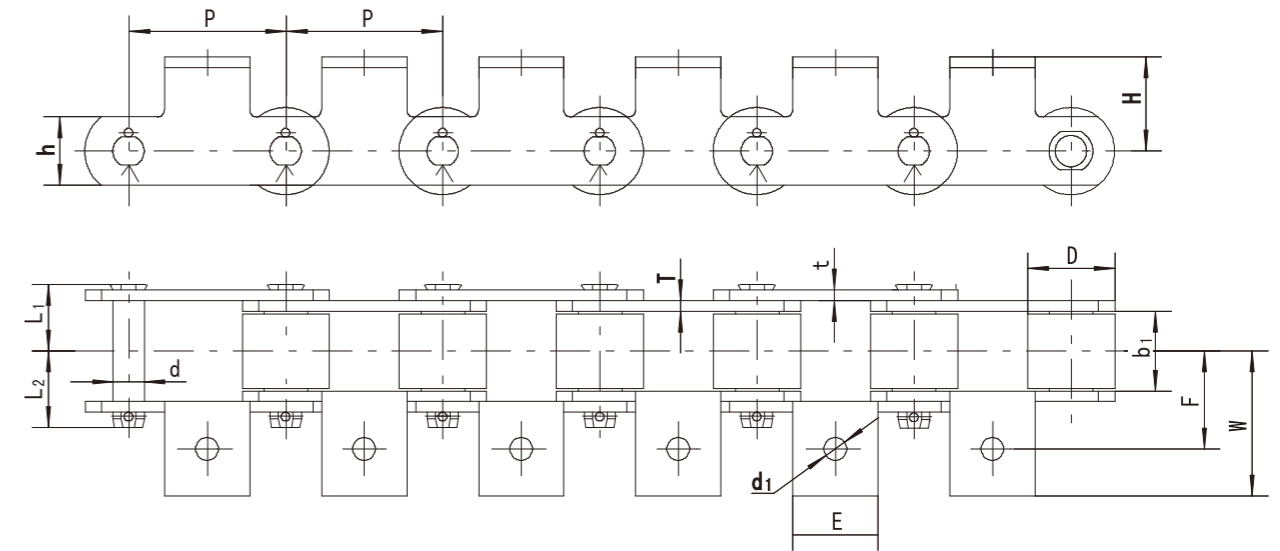
链号 Chain No.	节距 Pitch	内节内宽 Width between inner sidebars	滚子外径 Roller Diameter	销轴 Pin		链板 Sidebar		最小抗拉强度 Ultimate tensile strength	每米净重 Weight per meter	
	p	b1(min)	D(max)	d	L1	L2	h	t/T	Fu(min)	q
	mm	mm	mm	mm	mm	mm	mm	mm	kN	kg/m
CW-101.6	101.6	24	63.5	14.32	34	37	37.5	8	112	12
CW-101.6B	101.6	24	63.5	14.32	35.1	39.5	38.1	8	206	12.9

啤酒生产线 – 洗瓶机链 Beer Production Line – Bottle Washer Chains



链号 Chain No.	E	d1
	mm	mm
CW-102	51	11
CW-102A	51	11
CW-102B	51	11
CW-101.6C	50.8	11
CW-127	63.5	11
CW-127C	61.4	10.4
CW-152	76	11
CW-155	77.5	10.3
CW-160	80	11
CW-190	95	11

啤酒生产线 – 杀菌机链 Beer Production Line – Sterilizing Machine Chains



链号 Chain No.	节距 Pitch	内节内宽 Width between inner sidebars	滚子外径 Roller Diameter	销轴 Pin		链板 Sidebar		最小抗拉强度 Ultimate tensile strength	每米净重 Weight per meter	
	p	b1(min)	D(max)	d	L1	L2	h	t/T	Fu(min)	q
	mm	mm	mm	mm	mm	mm	mm	mm	kN	kg/m
CW-102	102	24	63.5	14.32	32.2	38.8	37.5	9	112	13.3
CW-102A	102	22.6	63.5	14.32	29.2	35.3	38.1	8	200	12.1
CW-102B	102	24	63.5	14.32	32.2	38.8	38.1	9	220	13.4
CW-101.6C	101.6	24	63.5	14.32	30.1	38.8	38.1	8	206	12.8
CW-127	127	24	63.5	14.32	32.2	38.8	37.5	9	150	11.5
CW-127C	127	24	63.5	14.32	29.1	36.9	37.5	8	112	10.8
CW-152	152	31.8	76	15.88	36.6	44.4	38.1	9.5	313.6	14.7
CW-155	155	32	76.2	14.32	34	40	38.1	8	200	12.8
CW-160	160	31.8	76	15.88	36.6	44.4	38.1	9.5	240	14.3
CW-190	190	31.8	76	15.88	36	45	38.1	9.5	240	12.9



链号 Chain No.	F	E	W	d1	H
	mm	mm	mm	mm	mm
CK-90SC	49	54	74	13	54
CK-90SE	49	54	74	13	54

链号 Chain No.	节距 Pitch	内节内宽 Width between inner sidebars	滚子外径 Roller Diameter	销轴 Pin		链板 Sidebar		最小抗拉强度 Ultimate tensile strength	每米净重 Weight per meter	
	p	b1(min)	D(max)	d	L1	L2	h	t/T	Fu(min)	q
	mm	mm	mm	mm	mm	mm	mm	mm	kN	kg/m
CK-90SC	90	40.5	51	18	36.8	40.9	39	6	120	9.84
CK-90SE	90	40.7	50.8	18	34.6	39.1	39	5	100	8.61

工程输送链板链网

Engineering Conveyor Chain & Belt

传递安全与可靠

Transmit Safety & Reliability



啤酒饮料输送产品及解决方案

Conveyor Products & Solution for Beer & Beverage Industry

恒久集团·黄山链条

www.hschain.com.cn

产品材料及颜色 Product Materials and Colors

1: XLHS-高性能内润滑, 超低摩擦性能乙缩醛, 能改善耐磨寿命并具有较高的强度, 颜色: 咖啡色;

1: XLHS - Internally lubricated, extra low friction Acetal for improved wear life and high strength. Color: Brown



2: XLGHS-高性能内润滑, 超低摩擦性能乙缩醛, 能改善耐磨寿命并具有较高的强度, FDA认可. 颜色: 墨绿色;

2: XLGHS - Internally lubricated, extra low friction Acetal for improved wear life and high strength; FDA approved. Color: Dark Green;



3: HDHS -高性能内润滑, 超低摩擦性能乙缩醛, 相比普通乙缩醛提升40%的磨损性能, 适用于干润滑环境, FDA批准. 颜色: 天蓝色;

3: HPHS- High Performance internally lubricated Acetal, for reduced wear up to 40% over plain Acetal; intended for dry running and high-speed applications. . Color: Sky Blue;



4: PSHS-高性能免润滑树脂材料, 应用于高速干燥输送环境, FDA批准. 颜色: 深灰色;

4: PSHS-Advanced High Performance and Lubrication-free Resin Material designed specifically High-speed and run dry Environment, FDA approved. Color: Dark Grey;



5: XPHS-耐磨聚丙烯材料, 应用于高温喷淋环境, 具有优异的长期热稳定性 (高达104°C) 和非常好的耐化学性; FDA批准. 颜色: 浅绿色.

5: XPHS- Wear resistant polypropylene with excellent long term heat stability – up to 104°C – and a very good chemical resistance; FDA approved. Color: light green;



工程塑料链板介绍 Introduction of Conveyor Chain

从标准低摩擦材料到针对极特殊场合所需的专业高技术材质的产品，黄山链条能够为啤酒饮料行业的输送作业提供专业的解决方案。

高强材料

适用于干燥和使用润滑剂环境的饮料瓶输送，也适用于高磨损的玻璃制造业，具有高强度和极低摩擦性。

顺滑特性

为了确保优异的顺滑特性，黄山链研发了多种高性能链板材料，在许多情况下，这些材料是专为输送设备而开发的，具有与预期用途一致的摩擦系数。

平整度

通过数字化产品设计验证，专业的模具设计制造，和受控的加工流程，确保链板达到高标准的平整度值，具备优异的顺滑特性，防止产品在输送过程中倾翻。

标准化

标准塑料链板用于一般的易拉罐，PET瓶，玻璃瓶及纸盒包装输送；高摩擦性链板（带橡胶垫，顶部带橡胶条）用于爬坡和下坡输送；带滚珠的链板用于输送物件有堆积的输送机上，以减少产品间的背压力和降低噪音；这一系列的产品使输送设备得以标准化，从而可以使用相同标准的链轮，轨道，回转轮，摩擦条。

我们提供84毫米宽度的塑料链板和不锈钢链板，用于啤酒饮料输送行业中行间距为85毫米的多轨道输送机。直行链和转弯链及相关的配套产品，可以在同类齿轮上运行，使通过轨道的行间距以及链节之间的间距达到了最小化，相比传统的82.6毫米链板拥有出色的产品输送性能，可以将产品翻倒的风险降至最低。

当1000系列链网被用于直行输送；1060系列链板，84毫米宽度的转弯链是与之配套的理想产品，即使在小转弯半径情况下，这些链条也具有一个最大极限的支撑面积和出色的传动性能。建议在输送要求较高的情况下采用磁性转弯链网及磁性轨道。

D型销轴

84毫米链板配有D型销轴。一旦组装完毕，销轴的固定是由几何结构锁定来完成，而不是借助铰孔上的机械方式锁定来完成。此举可以降低链条对化学腐蚀的敏感性；它还允许从链条的两侧进行组装及拆卸，降低组装失误几率。

From standard low friction to specialized high-tech materials for very specific applications, the HS Conveyor Chain range is capable of delivering a wide range of solutions for conveyor applications for beverage industry.

High strength materials

For lubricated and dry running beverage applications and also for abrasive applications in glass works, special materials are available, offering high PV resistance and very low friction

Sliding properties

HS developed kinds of advance material for chain to ensure superior sliding properties, In many cases these materials are especially defined for conveyor applications and the materials have friction coefficients tailored to the intended application.

Flatness

Digital products and tooling Design, Verification, Manufacturing, the control of the production process take care of flatness values meeting the highest standards. Together with the optimum sliding properties, this will prevent tipping of the products conveyed.

Standardization

In case handling a number of different chains are used. Standard chains are used for general conveying of Can, PET, and Glass bottle; High Friction Chains with rubber and super grip top are used for inclines and declines. Chains with rollers are used in lines feeding palletizers in order to reduce the backline pressure and noise. The product range allows standardization of case handling conveyors, as a result of the same Sprockets, Track, Return Roller and Wear Strips.

HS offers a complete range of both plastic and steel chains with 84 mm width, intended for the global beverage standard 85 mm pitch between the lanes of multi-lane conveyors. The straight running HSSP84 and the side flexing HSRP84 are companions, running on the same sprockets. The gap between the different tracks/lanes is minimized compared to the traditional 3.25" chains as well as the gap between the links of the chains, to offer superior product handling and minimize the risks of products falling.

When 1000 series Belts is used for straight running conveying 1060 series with 84 mm wide side flex chain is the ideal product for Combing to use. Even in the case of small turning radius, these chains still have a maximum supporting area and excellent transmission performance. It is suggested that magnetic side flex chain and Track should be used in the case of higher requirements.

Pin – D type

HSSP84, HSRP84, 1060-FT, 1060-FG, 880TAB chains have the Pin-D type. Once assembled, the pin retention is done by means of geometrical fit instead of mechanical tension on the hinge eyes. This makes the chain less sensitive for attack by chemicals; it also allows assembly and disassembly from both side of the chains and reducing the error.

工程塑料链网介绍 Introduction of Conveyor Belt

输送链网种类多样，我们提供从半英寸开始，至2英寸节距之间的输送链网及解决方案，每个系列的产品都提供对应多种用途的型号。

平顶链网/顶部封闭

如果产品因其易损性及不稳定性而要求有最大的支撑能力时，并且存在一些会卡在链网表面并有可能损坏或堵塞产品，或链网的小颗粒如玻璃碎片、螺栓和螺母或产品本身时，通常会采用完全闭合的表面设计方式。

顶部开放/网孔

采用顶部开放的表面允许水或气流穿过链网并除去碎屑，确保链网和输送产品之间的接触面保持清洁，每种型号链网的开放区域有所区别。

顶部凸起/凸起型

如果需要把（不稳定）产品输送至或者输送离开一根链网或链条时，选用顶部凸起链网和梳子板比较合适。梳子板的指爪会伸入链网凸肋表面下方。梳子板配有长短不一的指抓，短指抓通常用于有碎玻璃片存在的场合。

顶部有真空孔

真空传送带主要用于饮料厂中的制罐工艺或空罐输送。利用开在链网顶上的小孔将链网下方抽成真空，使链网可以输送空罐。

带橡胶垫/顶部带橡胶条

带有橡胶垫的爬坡/下坡链板能够光滑顺畅的运输包装物，这些橡胶垫通过注塑成型被粘结在特制模块上。根据包装方式与材料，橡胶垫模块化链网可以在角度最大至20度的场合中使用。

滚珠链网

低背压滚珠链网是输送堆积产品的最佳选择。1005系列模块化滚珠链网被推荐用于输送不带平整底部的收缩性薄膜包装和小包装，带硬纸板底部的收缩性薄膜包装和大型产品。两种制作型号都能够提供最佳产品保护和低噪音工作性能。该链网系列几乎可以所有应用场合提供解决方案。

可变节距链网

该系列链网用于直行，转弯，几乎可以为所有后包装提供解决方案。

So far, the range of Conveyor Belts varies from half inch small pitch to 2 inch pitch running Conveyor Belt and solutions. The different series are offered in many variations to suit any application.

FT- Belt (Closed Surface)

If products require maximum support, due to their vulnerability or un-stability, and if small particles, such as broken glass, bolts and nuts, or the product itself, could get stuck in the surface of the belt, possibly damaging or jamming the product or the belt. A fully closed surface is used.

FG- Belt (Flush Grid)

An open area surface is used to allow water- or air flow through the belt & to remove debris, making sure the contact surface between the belt and the conveyed product stays clean. The open area varies per belt type.

RR- Belt (Raised Rib)

If (unstable) products need to be conveyed onto or from a belt or chain, Raised Top belts and finger incha are suitable. The fingers of the transfer chain reach into and below the surface of the ribs of the belt. COMB incha are available with longer and shorter fingers; short fingers are normally used in case of a risk of broken glass.

Vacuum Belt(Small Hole)

Vacuum conveyors are mainly used for can making or empty can handling in beverage CAN. Small Holes in a Closed Surface belt enable to handle the empty cans by means of a vacuum underneath the belt.

SGS-Belt (Super Grip Surface)

On inclined and declined conveyors packs or crates can be handled smoothly using surfaces with rubber, on top of a specially prepared module using injection technology, ensuring 100% secure bonding. Super Grip Surface Belt can be used up to an angle of 20 degrees, depending on the pack style and material.

LBP-Belt (Roller surface)

Low Backline Pressure Roller belts handling accumulated products are the best choice. 1005 Roller Belt is recommended for shrink-wrapped packages without solid base and small packages, shrink wrapped packs with a cardboard bottom and larger products. Both executions guarantee optimum product protection and low noise operation.

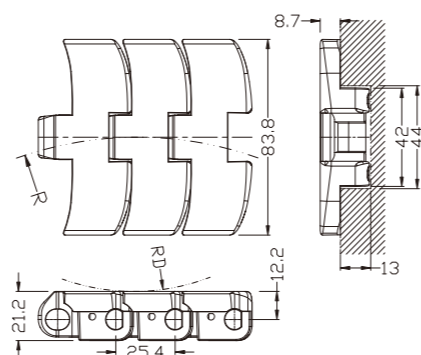
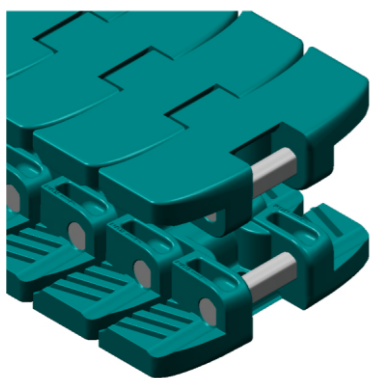
RBT- Belt (Auto Pitch)

This belt range offers a solution for almost any curved application for after packing.

工程塑料链板命名 Module Chain naming rules

输送链板 Conveyor Chain

1060磁性转弯链板 Sideflex Run Single Hinge Chain



链板型号 Chain Type	链板宽度 Chain width mm	节距 Pitch mm	最小转弯半径 Sideflex Radius (Min) mm	最小背弯半径 Backflex Radius (Min) mm	工作载荷 Working Load(Max) 牛顿 N (21℃)		链板重量 Weight Kg/m	链板材质 Chain Material
					2200	2700		
1060-FTM-K330	83.8	25.4	500	130	2200	2700	1.68	XLGHS
					2700	2200	1.68	HDHS
					2200	2200	1.68	PSHS

标准包装: 3.048米/盒, 10英尺/盒 (120链节) Packing Standard: 3.048 Meters/Box 10 Feet/Box (120 Links)

完整产品型号: HS+链板型号+链板材料
例如: HS-1060-FTM-K330-XLGHS

Complete Chain Type: HS+ Chain Type + Chain Material
For example: HS-1060-FTM-K330-XLGHS

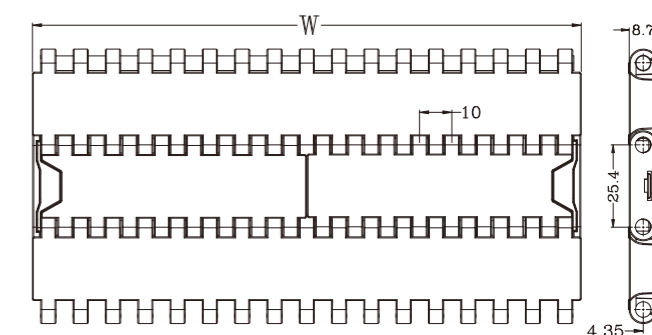
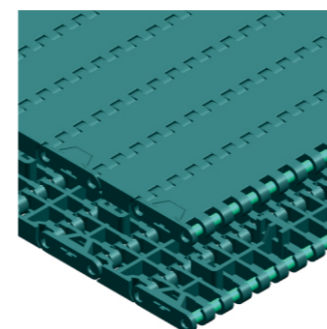
完整产品名称: 链板名称
例如: 1060磁性转弯链板

Complete Chain Name: Chain Name
For example: 1060 Side flex run single Hinge Chain

工程塑料链网命名 Module belt naming rules

输送链网 Conveyor Belt

1000系列直行平顶链网 Serise Straight Run Flat Top Belt



链网型号 Belts Type	节距 Pitch mm	最小背弯半径 Backflex Radius (Min) mm	工作载荷 Woking Load (Max) 牛顿 N (21℃)		工作温度 Working temperature ℃		链板重量 Weight Kg/m ²	销轴材质 Pin material	链网材质 Belt Material	链网宽度 Belt Width		
			22000	27000	Dry	Wet				模块宽度 Mold parts Width	标准组合拼装 Uncut Assembly Width	
1000-FT	25.4	25	22000	27000	4-65	4-65	6.5KG	PP	XLGHS	85	170	W=85*N
			22000	22000	4-104	4-104	6.6KG	PP	PSHS	切割链网宽度 Cut Belt Width		
			11000	11000	4-104	4-104	4.3KG	PP	XPHS	W=85*N+10n	10毫米增量递增 10mm increments	

标准包装: 3.048米/盒, 10英尺/盒 (120链节) Packing Standard: 3.048 Meters/Box 10 Feet/Box (120 Links)

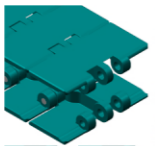
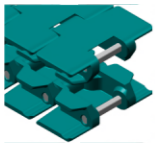
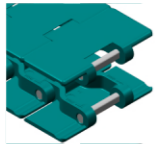
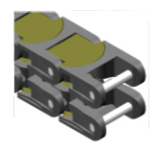

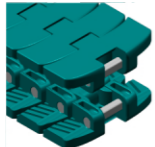



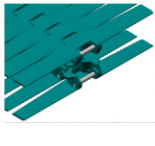

完整产品型号: HS+链网型号+链网宽度(W)+材料
例如: HS-1000-FT-510-XLGHS

Complete Belts Type: HS+ Belts Type + Belt Width + Belt Material
For example: HS-1000-FT-510-XLGHS

完整产品名称: 链网名称
例如: 1000系列直行平顶链网

Complete Belt Name: Belt Name
For example: 1000 Serises Straight run flat top Belt

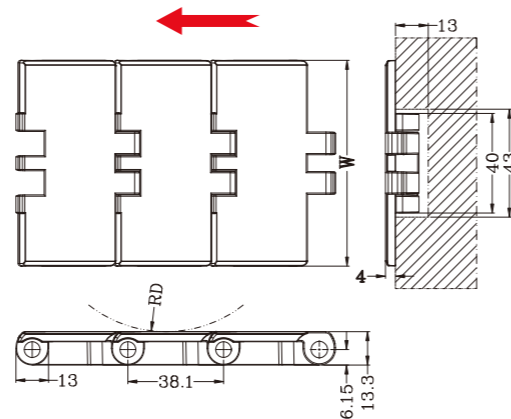
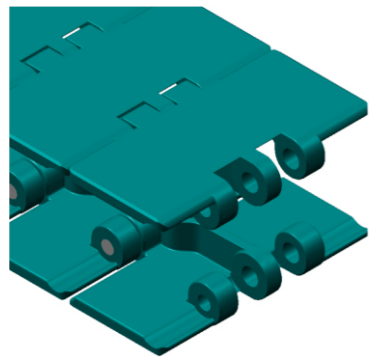
链板目录 CONTENTS

	page		page		page
820	 C08	823	 C16	2600TAB	 C22
880	 C09	823TAB	 C17	1775	 C24
SP84	 C10	826	 C18	1765	 C25
RP84	 C10	878T	 C19	63A	 C26
1060	 C12	1873T	 C20	83A	 C27
1050	 C12	1873D	 C20	103A	 C28
821	 C14	1873TG	 C21	140A	 C29
822	 C15	1873TW	 C21	175	 C30
822	 C16	2600	 C22	83-G3	 C30

链网目录 CONTENTS

	page		page
500-FG	 C31	1285-RBT	 C41
2120FT	 C32	1005-FT	 C42
2120-SGS	 C32	1005-SGS	 C42
5935-FT	 C34	1005-LBP	 C43
5935-FG	 C34	2000-RR	 C44
8500-FT	 C36	5957-RR	 C45
8500-FG	 C36		
1000-FT	 C38		
1000-FG	 C38		

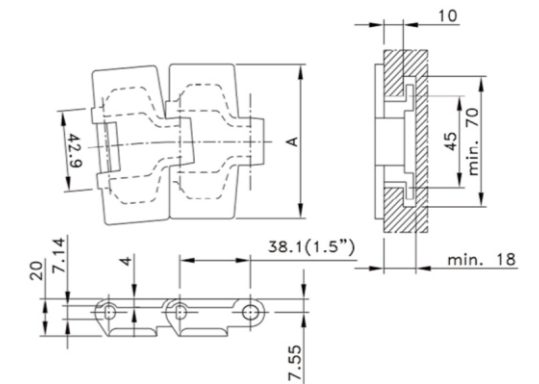
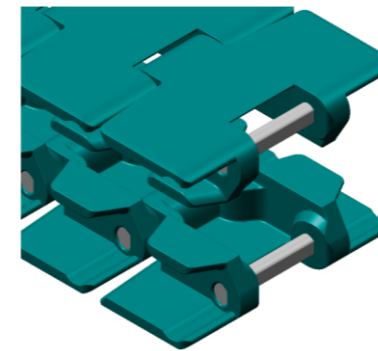
820单铰直行链板 Straight Run Single Hinge Chain



链板型号 Chain Type	链板宽度 Chain width	节距 Pitch	最小背弯半径 Backflex Radius (Min)	工作载荷 Working Load(Max)	链板重量 Weight	链板材质 Chain Material
	mm			mm	牛顿 N (21℃)	
820-K325	82.5	38.1	50	1230	0.83	XLHS/XLGHS/PSHS
820-K450	114.3			1230	1.03	XLHS/XLGHS/PSHS
820-K600	152.4			1230	1.25	XLHS/XLGHS/PSHS
820-K750	190.5			1230	1.47	XLHS/XLGHS/PSHS

标准包装: 3.048米/盒, 10英尺/盒 (80链节) Packing Standard: 3.048 Meters/Box 10 Feet/Box (80 Links)

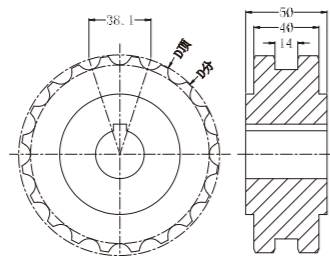
880单铰勾脚转弯链板 Sideflex Run Single Hinge Chain



链板型号 Chain Type	链板宽度 Chain width	节距 Pitch	最小转弯半径 Sideflex Raius (Min)	最小背弯半径 Backflex Radius (Min)	工作载荷 Working Load(Max)	链板重量 Weight	链板材质 Chain Material
	mm		mm	mm	mm	牛顿 N (21℃)	
880TAB-K325	82.5	38.1	500	50	2100	0.94	XLHS/XLGHS/PSHS
880TAB-K450	114.3				2100	1.08	XLHS/XLGHS/PSHS

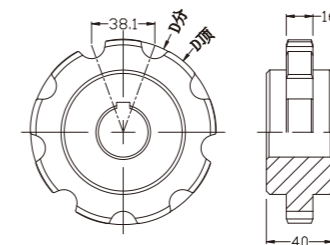
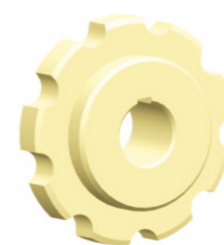
标准包装: 3.048米/盒, 10英尺/盒 (80链节) Packing Standard: 3.048 Meters/Box 10 Feet/Box (80 Links)

820链轮-主动链轮 Sprocket-Drive Wheel



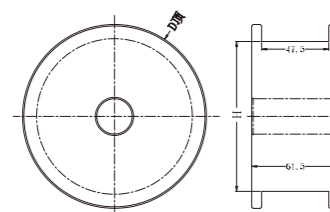
链轮型号 Sprocket Type	齿数 Number of Teeth	孔径 Bore	分度圆 Pitch Diameter	齿顶圆 Out Side Diameter	规格 Standstd
		mm	mm	mm	
820-T21-ZD	21	30/35/40	129.3	129.5	机加工 Machining
820-T23-ZD	23	30/35/40	141.2	142.0	
820-T25-ZD	25	30/35/40	153.2	154.2	

880链轮-主动链轮 Sprocket-Drive Wheel



链轮型号 Sprocket Type	齿数 Number of Teeth	孔径 Bore	分度圆 Pitch Diameter	齿顶圆 Out Side Diameter	规格 Standstd
		mm	mm	mm	
880-T10-ZD	10	30/35/40	121.4	123.3	机加工/注塑 Machining/injection
880-T11-ZD	11	30/35/40	133.9	135.2	
880-T12-ZD	12	30/35/40	145.8	147.2	

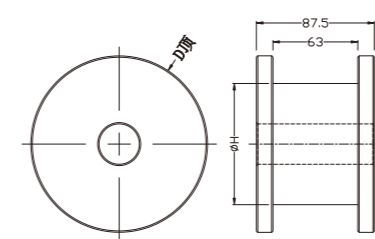
820链轮-被动链轮 Sprocket-Idler Wheel



链轮型号 Sprocket Type	齿数 Number of Teeth	孔径 Bore	分度圆 Pitch Diameter	齿顶圆 Out Side Diameter	规格 Standstd
		mm	mm	mm	
820-T21-CD	NIL	30/35/40	129.3	129.5	机加工 Machining
820-T23-CD	NIL	30/35/40	141.2	142.0	
820-T25-CD	NIL	30/35/40	153.2	154.2	

NIL链轮无齿数
NIL is teethless
*如果您需要被动链轮带有轴承请与我们联系
Please contact to us if you need the Idler Wheel with bearing

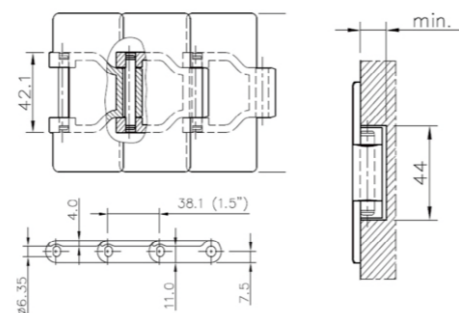
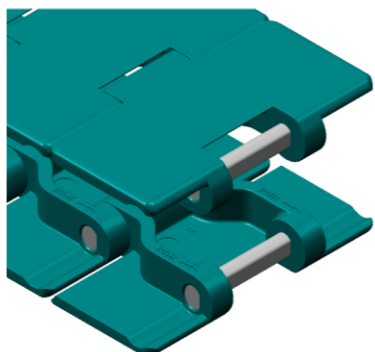
880链轮-被动链轮 Sprocket-Idler Wheel



链轮型号 Sprocket Type	齿数 Number of Teeth	孔径 Bore	分度圆 Pitch Diameter	齿顶圆 Out Side Diameter	规格 Standstd
		mm	mm	mm	
880-T10-CD	10	30/35/40	121.4	123.3	机加工/注塑 Machining/injection
880-T11-CD	11	30/35/40	133.9	135.2	
880-T12-CD	12	30/35/40	145.8	147.2	

如果您需要被动链轮带有轴承请与我们联系
Please contact to us if you need the Idler Wheel with bearing.

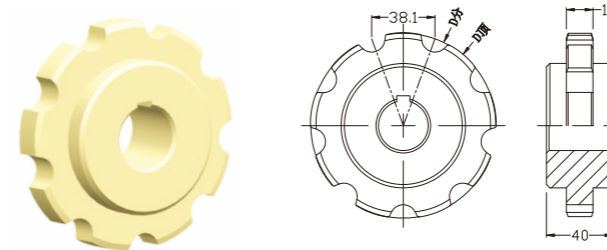
SP84单铰直行链板 Sideflex Run Single Hinge Chain



链板型号 Chain Type	链板宽度 Chain width mm	节距 Pitch mm	最小背弯半径 Backflex Radius (Min) mm	工作载荷 Working Load(Max)		链板重量 Weight Kg/m	链板材质 Chain Material
				牛顿 N (21℃)			
HSSP84-K330	83.8	38.1	50	2100	0.94	XLHS/XLGHS	
				2600	0.94		HDHS
				2100	0.94		PSHS

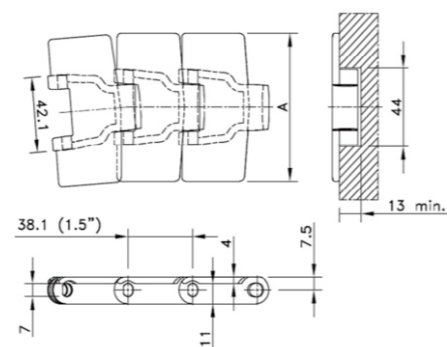
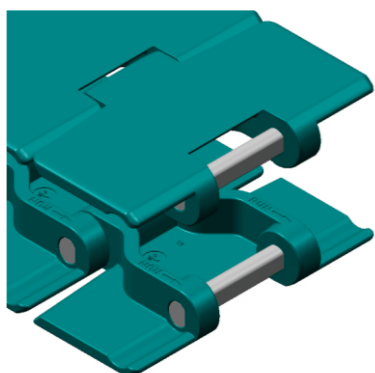
标准包装: 3.048米/盒, 10英尺/盒 (80链节) Packing Standard: 3.048 Meters/Box 10 Feet/Box (80 Links)

880链轮-主动链轮 Sprocket-Drive Wheel



链轮型号 Sprocket Type	齿数 Number of Teeth	孔径 Bore	分度圆 Pitch Diameter	齿顶圆 Out Side Diameter	规格 Standstd
		mm	mm	mm	
880-T10-ZD	10	30/35/40	121.4	123.3	机加工/注塑 Machining/injection
880-T11-ZD	11	30/35/40	133.9	135.2	
880-T12-ZD	12	30/35/40	145.8	147.2	

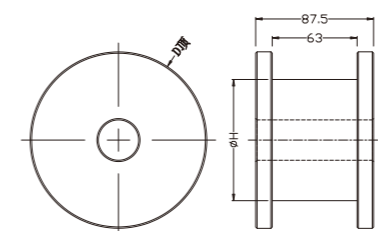
RP84磁性转弯链板 Sideflex Run Single Hinge Chain



链板型号 Chain Type	链板宽度 Chain width mm	节距 Pitch mm	最小转弯半径 Sideflex Radius (Min)	最小背弯半径 Backflex Radius (Min) mm	工作载荷 Working Load(Max)		链板重量 Weight Kg/m	链板材质 Chain Material
			mm	mm	牛顿 N (21℃)			
HSRP84-K330	83.8	38.1	500	50	2100	0.82	XLHS/XLGHS	
					2600	0.82		HDHS
					2100	0.82		PSHS

标准包装: 3.048米/盒, 10英尺/盒 (80链节) Packing Standard: 3.048 Meters/Box 10 Feet/Box (80 Links)

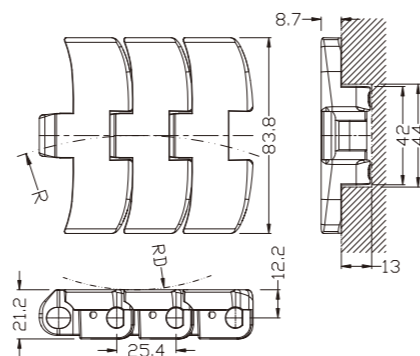
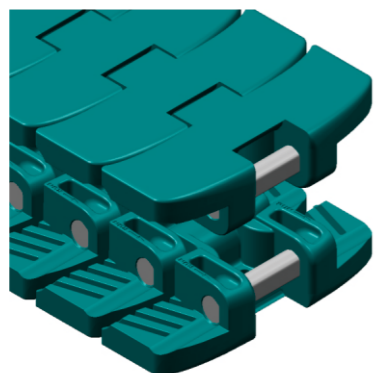
880链轮-被动链轮 Sprocket-Idler Wheel



链轮型号 Sprocket Type	齿数 Number of Teeth	孔径 Bore	分度圆 Pitch Diameter	齿顶圆 Out Side Diameter	规格 Standstd
		mm	mm	mm	
880-T10-CD	10	30/35/40	121.4	123.3	机加工/注塑 Machining/injection
880-T11-CD	11	30/35/40	133.9	135.2	
880-T12-CD	12	30/35/40	145.8	147.2	

如果您需要被动链轮带有轴承请联系我们。
Please contact to us if you need the Idler Wheel with bearing.

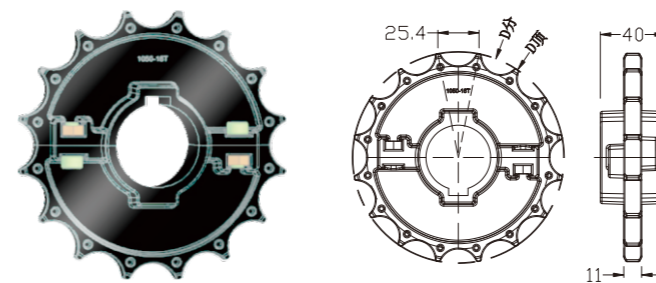
1060磁性转弯链板 Sideflex Run Single Hinge Chain



链板型号 Chain Type	链板宽度 Chain width mm	节距 Pitch mm	最小转弯半径 Sideflex Radius (Min) mm	最小背弯半径 Backflex Radius (Min) mm	工作载荷 Working Load(Max)	链板重量 Weight Kg/m	链板材质 Chain Material
					牛顿 N (21°C)		
1060-FTM-K330	83.8	25.4	500	130	2200	1.68	XLGHS
					2700		HDHS
					2200		PSHS

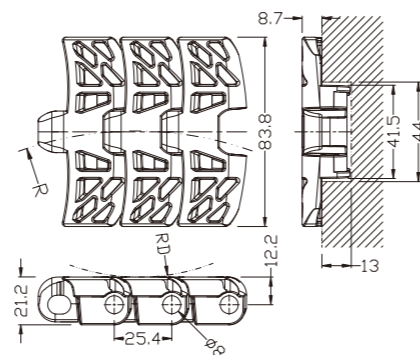
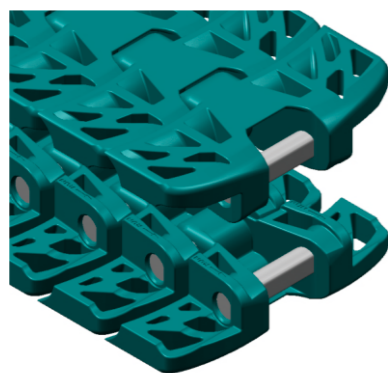
标准包装: 3.048米/盒, 10英尺/盒 (120链节) Packing Standard: 3.048 Meters/Box 10 Feet/Box (120 Links)

1060链轮-主动链轮 Sprocket-Drive Wheel



链轮型号 Sprocket Type	齿数 Number of Teeth	孔径 Bore	分度圆 Pitch Diameter	齿顶圆 Out Side Diameter	规格 Standstd
		mm	mm	mm	
1060-T16-ZD	16	30/35/40	131.2	130.9	机加工/注塑
1060-T18-ZD	18	30/35/40	147.4	146.8	Machining/injection

1050磁性转弯链板 Sideflex Run Single Hinge Chain



链板型号 Chain Type	链板宽度 Chain width mm	节距 Pitch mm	最小转弯半径 Sideflex Radius (Min) mm	最小背弯半径 Backflex Radius (Min) mm	工作载荷 Working Load(Max)	链板重量 Weight Kg/m	链板材质 Chain Material
					牛顿 N (21°C)		
1050-FGM-K330	83.8	25.4	500	130	2100	1.54	XLGHS
					2700		HDHS
					2100		PSHS

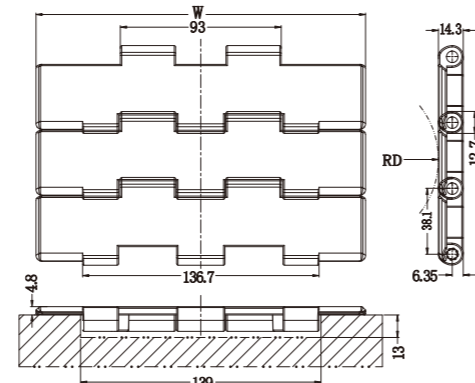
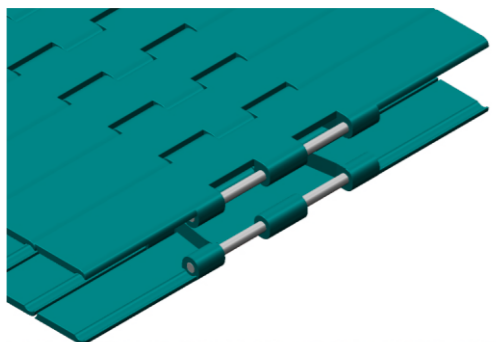
标准包装: 3.048米/盒, 10英尺/盒 (120链节) Packing Standard: 3.048 Meters/Box 10 Feet/Box (120 Links)

1060链轮-被动链轮 Sprocket-Idler Wheel

链轮型号 Sprocket Type	齿数 Number of Teeth	孔径 Bore	分度圆 Pitch Diameter	齿顶圆 Out Side Diameter	规格 Standstd
		mm	mm	mm	
1060-T16-CD	16	30/35/40	131.2	130.9	机加工/注塑
1060-T18-CD	18	30/35/40	147.4	146.8	Machining/injection

如果您需要被动链轮带有轴承请与我们联系。
Please contact to us if you need the Idler Wheel with bearing.

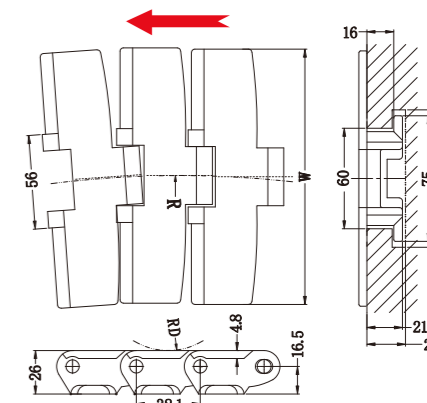
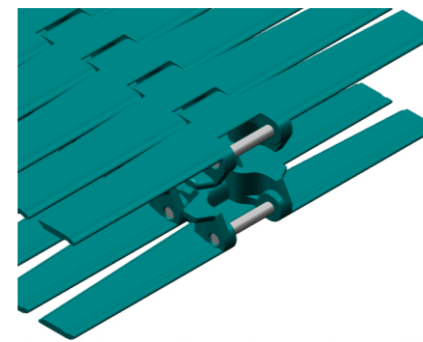
821双铰直行链板 Straight Run Double Hinge Chain



链板型号 Chain Type	链板宽度 Chain width	节距 Pitch	最小背弯半径 Backflex Radius (Min)	工作载荷 Working Load(Max)	链板重量 Weight	链板材质 Chain Material
	mm			mm	牛顿 N (21℃)	
821-K750	190.5	38.1	40	2680	7.5	XLHS/XLGHS/PSHS
821-K1000	254			2680	10	
821-K1200	304.8			2680	12	

标准包装: 3.048米/盒, 10英尺/盒 (80链节) Packing Standard: 3.048 Meters/Box 10 Feet/Box (80 Links)

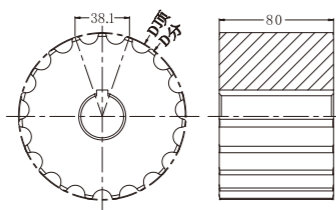
822勾脚转弯链板 Sideflex Run Single Hinge Chain



链板型号 Chain Type	链板宽度 Chain width	节距 Pitch	最小转弯半径 Sideflex Raius (Min)	最小背弯半径 Backflex Radius (Min)	工作载荷 Working Load(Max)	链板重量 Weight	链板材质 Chain Material
	mm		mm	mm	mm	牛顿 N (21℃)	
823TAB-K750	190.5	38.1	610	40	3830	2.45	XLHS/XLGHS/PSHS
823TAB-K1000	254				3830	2.92	
823TAB-K1200	304.8				3830	3.41	

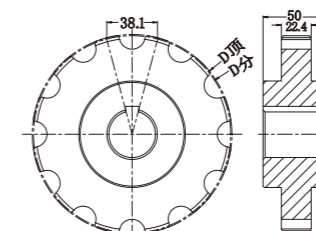
标准包装: 3.048米/盒, 10英尺/盒 (80链节) Packing Standard: 3.048 Meters/Box 10 Feet/Box (80 Links)

820链轮-主动链轮 Sprocket-Drive Wheel



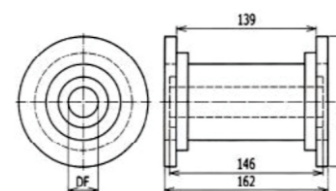
链轮型号 Sprocket Type	齿数 Number of Teeth	孔径 Bore	分度圆 Pitch Diameter	齿顶圆 Out Side Diameter	规格 Standstd
821-T19-ZD	19	30/35/40	123.2	121	机加工 Machining
821-T21-ZD	21	30/35/40	135.2	142.0	
821-T23-ZD	23	30/35/40	153.2	154.2	

882链轮-主动链轮 Sprocket-Drive Wheel



链轮型号 Sprocket Type	齿数 Number of Teeth	孔径 Bore	分度圆 Pitch Diameter	齿顶圆 Out Side Diameter	规格 Standstd
882-T10-ZD	10	30/35/40	123.3	121	机加工 Machining
882-T11-ZD	11	30/35/40	135.2	135.4	
882-T12-ZD	12	30/35/40	147.2	147.6	

820链轮-被动链轮 Sprocket-Idler Wheel



链轮型号 Sprocket Type	齿数 Number of Teeth	孔径 Bore	分度圆 Pitch Diameter	齿顶圆 Out Side Diameter	规格 Standstd
821-T19-CD	N/L	30/35/40	129.3	129.5	机加工 Machining
821-T21-CD	N/L	30/35/40	141.2	142.0	
821-T23-CD	N/L	30/35/40	153.2	154.2	

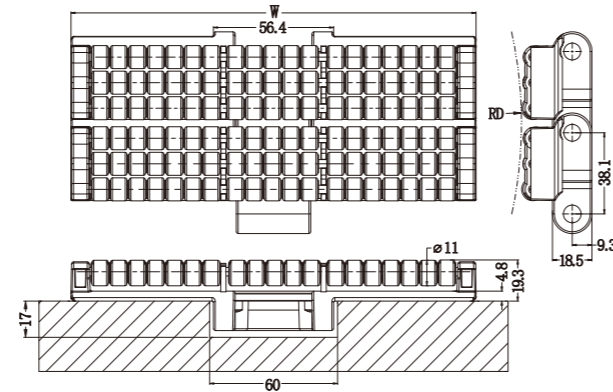
NIL惰轮无齿数
NIL is teethless
如果您需要被动链轮带有轴承请与我们联系
Please contact to us if you need the Idler Wheel with bearing

882链轮-被动链轮 Sprocket-Idler Wheel

链轮型号 Sprocket Type	齿数 Number of Teeth	孔径 Bore	分度圆 Pitch Diameter	齿顶圆 Out Side Diameter	规格 Standstd
882-T10-CD	10	30/35/40	123.3	121	机加工 Machining
882-T11-CD	11	30/35/40	135.2	135.4	
882-T12-CD	12	30/35/40	147.2	147.6	

如果您需要被动链轮带有轴承请与我们联系
Please contact to us if you need the Idler Wheel with bearing

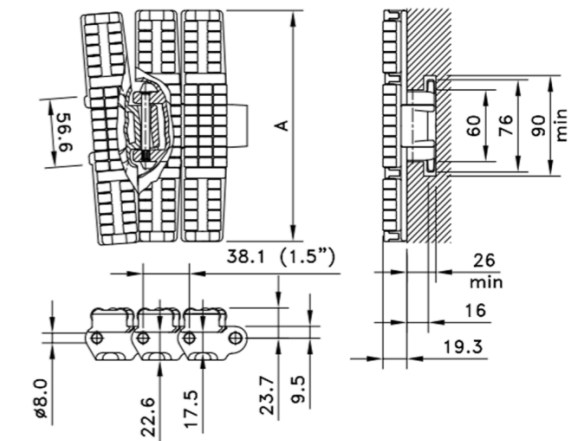
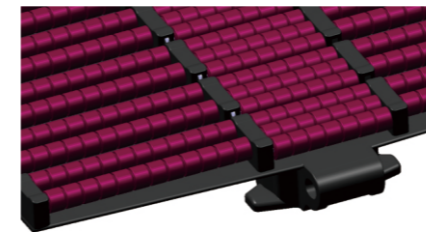
822重载直行滚珠链板 Heavy Duty Sideflex Run Single Hinge Roller Chain



链板型号 Chain Type	链板宽度 Chain width	节距 Pitch	最小背弯半径 Backflex Radius (Min)	工作载荷 Working Load(Max)	链板重量 Weight	链板材质 Chain Material
	mm			mm	牛顿 N (21℃)	
822-LBP-K750	190.5	38.1	40	3830	4.28	XLHS/XLGHS/PSHS
822-LBP-K1000	254			3830	5.23	XLHS/XLGHS/PSHS
822-LBP-K1200	304.8			3830	5.83	XLHS/XLGHS/PSHS

标准包装: 3.048米/盒, 10英尺/盒 (80链节) Packing Standard: 3.048 Meters/Box 10 Feet/Box (80 Links)

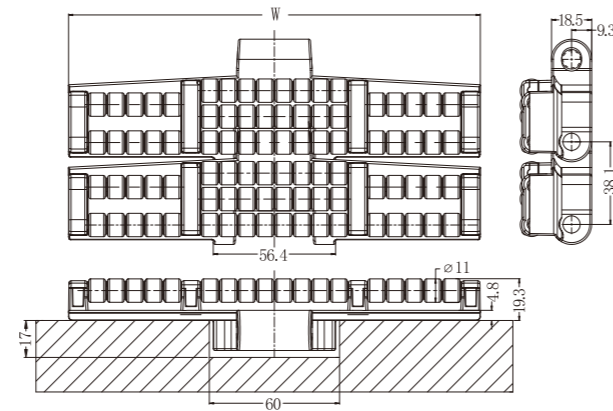
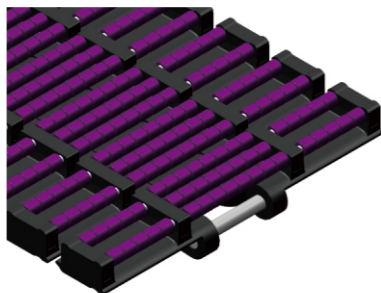
823TAB重载勾脚转弯滚珠链板 Heavy Duty Sideflex Run Single Hinge Roller Chain



链板型号 Chain Type	链板宽度 Chain width	节距 Pitch	最小转弯半径 Sideflex Radius (Min)	最小背弯半径 Backflex Radius (Min)	工作载荷 Working Load(Max)	链板重量 Weight	链板材质 Chain Material
	mm				mm	mm	
823TAB-LBP-K750	190.5	38.1	750	40	3830	4.51	XLHS/XLGHS/PSHS
823TAB-LBP-K1000	254				3830	5.72	XLHS/XLGHS/PSHS
823TAB-LBP-K1200	304.8				3830	6.38	XLHS/XLGHS/PSHS

标准包装: 3.048米/盒, 10英尺/盒 (80链节) Packing Standard: 3.048 Meters/Box 10 Feet/Box (80 Links)

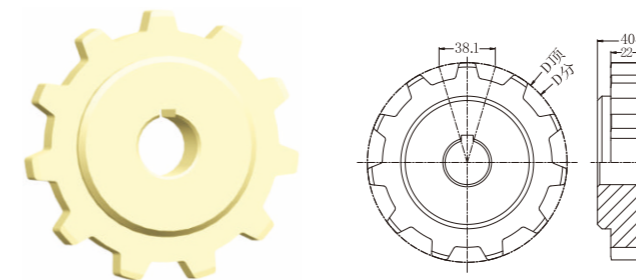
823重载磁性转弯滚珠链板 Heavy Duty Sideflex Run Single Hinge Roller Chain



链板型号 Chain Type	链板宽度 Chain width	节距 Pitch	最小转弯半径 Sideflex Radius (Min)	最小背弯半径 Backflex Radius (Min)	工作载荷 Working Load(Max)	链板重量 Weight	链板材质 Chain Material
	mm		mm	mm	mm	牛顿 N (21℃)	
823-LBP-K750	190.5	38.1	750	40	3830	4.28	XLHS/XLGHS/PSHS
823-LBP-K1000	254				3830	5.23	XLHS/XLGHS/PSHS
823-LBP-K1200	304.8				3830	5.83	XLHS/XLGHS/PSHS

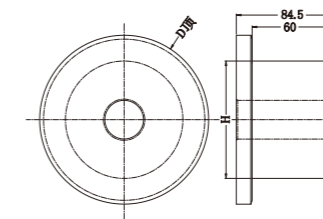
标准包装: 3.048米/盒, 10英尺/盒 (80链节) Packing Standard: 3.048 Meters/Box 10 Feet/Box (80 Links)

882链轮-主动链轮 Sprocket-Drive Wheel



链轮型号 Sprocket Type	齿数 Number of Teeth	孔径 Bore	分度圆 Pitch Diameter	齿顶圆 Out Side Diameter	规格 Standards
882-T10-ZD	10	30/35/40	123.3	121	机加工 Machining
882-T11-ZD	11	30/35/40	135.2	135.4	
882-T12-ZD	12	30/35/40	147.2	147.6	

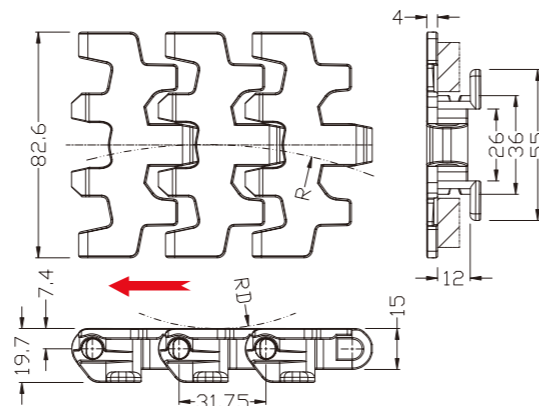
882链轮-被动链轮 Sprocket-Idler Wheel



链轮型号 Sprocket Type	齿数 Number of Teeth	孔径 Bore	分度圆 Pitch Diameter	齿顶圆 Out Side Diameter	规格 Standards
882-T10-CD	10	30/35/40	123.3	121	机加工 Machining
882-T11-CD	11	30/35/40	135.2	135.4	
882-T12-CD	12	30/35/40	147.2	147.6	

如果您需要被动链轮带有轴承请与我们联系
Please contact to us if you need the Idler Wheel with bearing

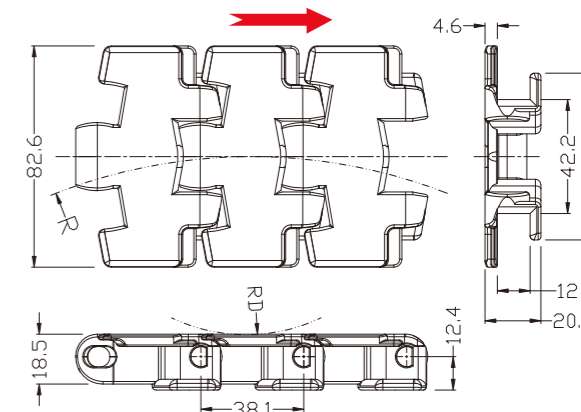
826勾脚转弯链板 Sideflex Run Single Hinge Chain



链板型号 Chain Type	链板宽度 Chain width	节距 Pitch	最小转弯半径 Sideflex Raius (Min)	最小背弯半径 Backflex Radius (Min)	工作载荷 Working Load(Max)	链板重量 Weight	链板材质 Chain Material
	mm	mm	mm	mm	牛顿 N (21℃)	Kg/m	
823TAB-K325	82.6	31.75	150	50	2250	0.9	XLHS/XLGHS/PSHS

标准包装: 3.048米/盒, 10英尺/盒 (96链节) Packing Standard: 3.048 Meters/Box 10 Feet/Box (96 Links)

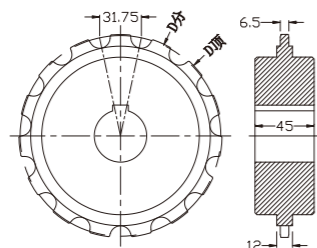
878勾脚转弯链板 Sideflex Run Single Hinge Chain



链板型号 Chain Type	链板宽度 Chain width	节距 Pitch	最小转弯半径 Sideflex Raius (Min)	最小背弯半径 Backflex Radius (Min)	工作载荷 Working Load(Max)	链板重量 Weight	链板材质 Chain Material
	mm	mm	mm	mm	牛顿 N (21℃)	Kg/m	
878AB-K325	82.6	38.1	200	50	2000	0.9	XLHS/XLGHS/PSHS

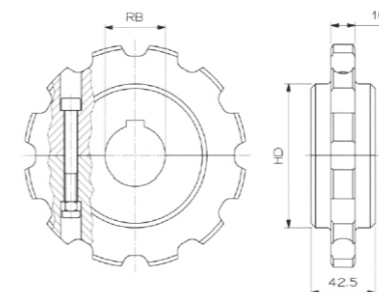
标准包装: 3.048米/盒, 10英尺/盒 (80链节) Packing Standard: 3.048 Meters/Box 10 Feet/Box (80 Links)

826链轮-主动链轮 Sprocket-Drive Wheel



链轮型号 Sprocket Type	齿数 Number of Teeth	孔径 Bore	分度圆 Pitch Diameter	齿顶圆 Out Side Diameter	规格 Standstd
		mm	mm	mm	
826-T13-ZD	13	30/35/40	132.7	134.5	机加工 Machining
826-T15-ZD	15	30/35/40	154.5	152.7	
826-T17-ZD	17	30/35/40	193	194.8	

878链轮-主动链轮 Sprocket-Drive Wheel



链轮型号 Sprocket Type	齿数 Number of Teeth	孔径 Bore	分度圆 Pitch Diameter	齿顶圆 Out Side Diameter	规格 Standstd
		mm	mm	mm	
878-T10-ZD	10	30/35/40	123.3	122.4	机加工 Machining
878-T11-ZD	11	30/35/40	135.2	134.9	
878-T12-ZD	12	30/35/40	147.2	147.3	

826链轮-被动链轮 Sprocket-Idler Wheel

链轮型号 Sprocket Type	齿数 Number of Teeth	孔径 Bore	分度圆 Pitch Diameter	齿顶圆 Out Side Diameter	规格 Standstd
		mm	mm	mm	
826-T13-CD	13	30/35/40	132.7	134.5	机加工 Machining
826-T15-CD	15	30/35/40	154.5	152.7	
826-T17-CD	17	30/35/40	193	194.8	

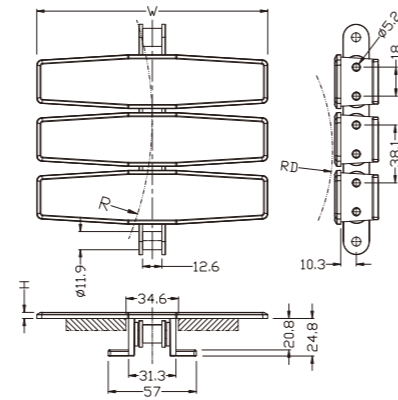
如果您需要被动链轮带有轴承请与我们联系
Please contact to us if you need the Idler Wheel with bearing

878链轮-被动链轮 Sprocket-Idler Wheel

链轮型号 Sprocket Type	齿数 Number of Teeth	孔径 Bore	分度圆 Pitch Diameter	齿顶圆 Out Side Diameter	规格 Standstd
		mm	mm	mm	
878-T10-CD	10	30/35/40	123.3	122.4	机加工 Machining
878-T11-CD	11	30/35/40	135.2	134.9	
878-T12-CD	12	30/35/40	147.2	147.3	

如果您需要被动链轮带有轴承请与我们联系
Please contact to us if you need the Idler Wheel with bearing

1873T转弯钢级基链板 Sideflex Steelbase Chain

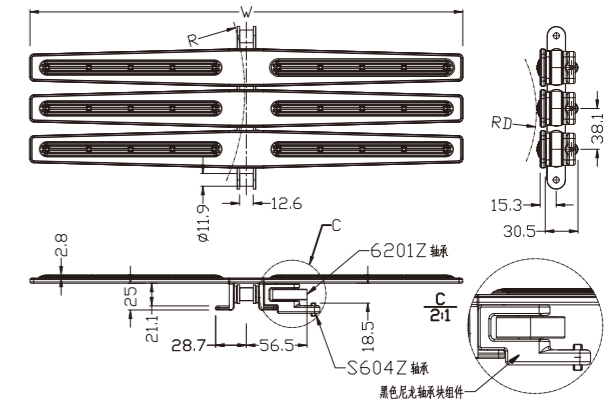


链板型号 Chain Type	链板宽度 Chain width	节距 Pitch	最小转弯半径 Sideflex Raius (Min)	最小背弯半径 Backflex Radius (Min)	工作载荷 Working Load(Max) 牛顿 N (21℃)	链板重量 Weight	链板材质 Chain Material
	mm					Kg/m	
1873T-K325	82.6	38.1	356	150	3400	2.1	XLHS/XLGHS/PSHS
1873T-K450	114.3					2.3	
1873T-K600	152.4	38.1	457	150	3400	2.5	XLHS/XLGHS/PSHS
1873T-K750	190.5					2.8	
1873T-K1000	254					3.1	
1873T-K1200	304.8	38.1	610	150	3400	3.7	XLHS/XLGHS/PSHS

钢基链标准为12A-1型, SteelBase chain type: 12A-1

标准包装: 3.048米/盒, 10英尺/盒 (80链节) Packing Standard: 3.048 Meters/Box 10 Feet/Box (80 Links)

1873TG-SGS转弯钢级基链板 Sideflex Steelbase Chain

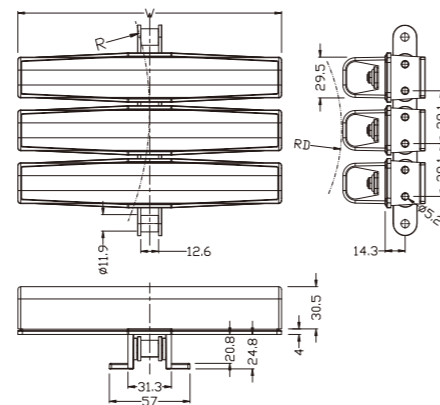


链板型号 Chain Type	链板宽度 Chain width	节距 Pitch	最小转弯半径 Sideflex Raius (Min)	最小背弯半径 Backflex Radius (Min)	工作载荷 Working Load(Max) 牛顿 N (21℃)	链板重量 Weight	链板材质 Chain Material
	mm					Kg/m	
1873TG-K1600-SGS	406.1	38.1	610	150	3400	4.4	XLHS
1873TG-K2000-SGS	508		700			4.8	

钢基链标准为12A-1型, SteelBase chain type: 12A-1

标准包装: 3.048米/盒, 10英尺/盒 (80链节) Packing Standard: 3.048 Meters/Box 10 Feet/Box (80 Links)

1873T夹瓶转弯钢级基链板 Gripper Sideflex steelbase Chain

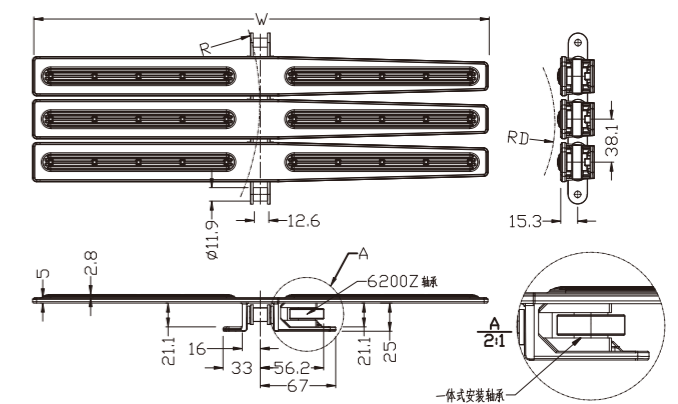


链板型号 Chain Type	链板宽度 Chain width	节距 Pitch	最小转弯半径 Sideflex Raius (Min)	最小背弯半径 Backflex Radius (Min)	工作载荷 Working Load(Max) 牛顿 N (21℃)	链板重量 Weight	链板材质 Chain Material
	mm					Kg/m	
1873T-K450	114.3	38.1	356	120	3400	3.5	XLHS/XLGHS/PSHS
1873T-K600	152.4					4.1	
1873T-K750	190.5	38.1	457	120	3400	4.5	XLHS/XLGHS/PSHS

钢基链标准为12A-1型, SteelBase chain type: 12A-1

标准包装: 3.048米/盒, 10英尺/盒 (80链节) Packing Standard: 3.048 Meters/Box 10 Feet/Box (80 Links)

1873TW-SGS转弯钢级基链板 Sideflex Steelbase Chain

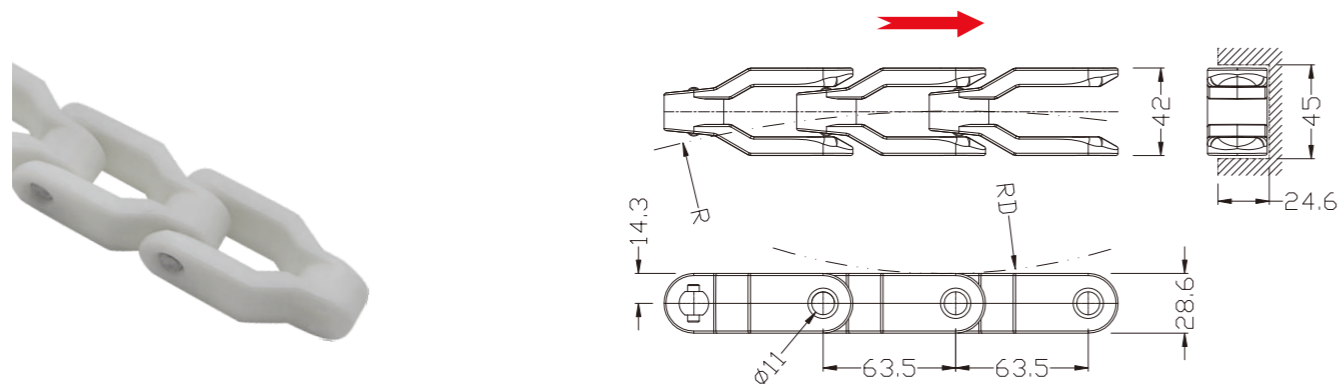


链板型号 Chain Type	链板宽度 Chain width	节距 Pitch	最小转弯半径 Sideflex Raius (Min)	最小背弯半径 Backflex Radius (Min)	工作载荷 Working Load(Max) 牛顿 N (21℃)	链板重量 Weight	链板材质 Chain Material
	mm					Kg/m	
1873TG-K1600-SGS	406.1	38.1	610	150	3400	3.9	XLHS
1873TG-K2000-SGS	508		700			4.5	

钢基链标准为12A-1型, SteelBase chain type: 12A-1

标准包装: 3.048米/盒, 10英尺/盒 (80链节) Packing Standard: 3.048 Meters/Box 10 Feet/Box (80 Links)

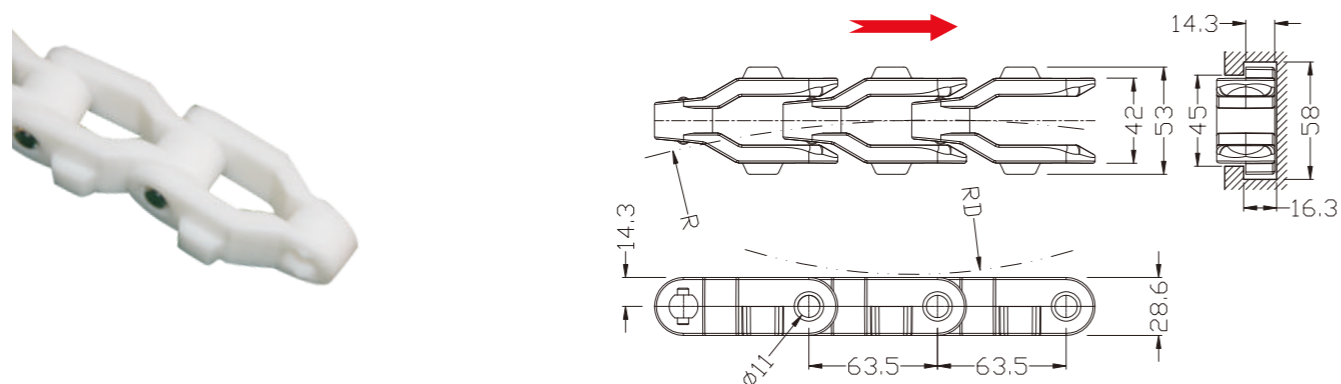
2600转弯链板 Straight Run Single Hinge Chain



链板型号 Chain Type	链板宽度 Chain width	节距 Pitch	最小转弯半径 Sideflex Raius (Min)	最小背弯半径 Backflex Radius (Min)	工作载荷 Working Load(Max)	链板重量 Weight	链板材质 Chain Material
	mm	mm	mm	mm	牛顿 N (21℃)	Kg/m	
2600	42	63.5	457	50	8000	1.3	XLHS
	42	63.5	457	50	11000	1.3	HGHS

标准包装: 3.048米/盒, 10英尺/盒 (48链节) Packing Standard: 3.048 Meters/Box 10 Feet/Box (48 Links)

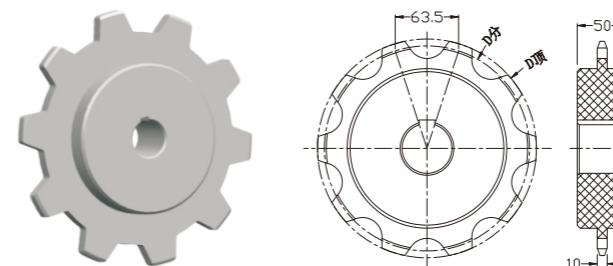
2600TAB勾脚转弯链板 Straight Run Single Hinge Chain



链板型号 Chain Type	链板宽度 Chain width	节距 Pitch	最小转弯半径 Sideflex Raius (Min)	最小背弯半径 Backflex Radius (Min)	工作载荷 Working Load(Max)	链板重量 Weight	链板材质 Chain Material
	mm	mm	mm	mm	牛顿 N (21℃)	Kg/m	
2600TAB	42	63.5	457	50	8000	1.3	XLHS
	42	63.5	457	50	11000	1.3	HGHS

标准包装: 3.048米/盒, 10英尺/盒 (48链节) Packing Standard: 3.048 Meters/Box 10 Feet/Box (48 Links)

2600链轮-主动链轮 Sprocket-Drive Wheel



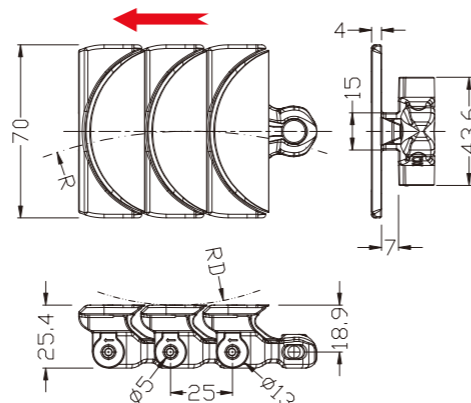
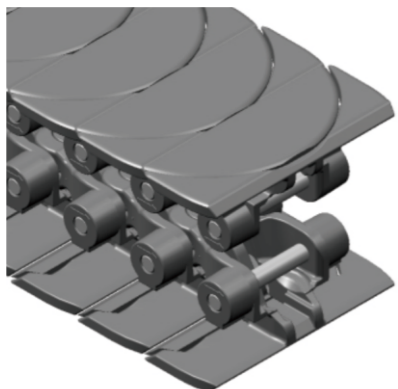
链轮型号 Sprocket Type	齿数 Number of Teeth	孔径 Bore	分度圆 Pitch Diameter	齿顶圆 Out Side Diameter	规格 Standstd
		mm	mm	mm	
2600-T10-ZD	10	30/35/40	205.5	213.7	机加工 Machining
2600-T11-ZD	11	30/35/40	225.4	230.0	
2600-T12-ZD	12	30/35/40	245.4	255.3	

2600链轮-被动链轮 Sprocket-Idler Wheel

链轮型号 Sprocket Type	齿数 Number of Teeth	孔径 Bore	分度圆 Pitch Diameter	齿顶圆 Out Side Diameter	规格 Standstd
		mm	mm	mm	
2600-T10-CD	10	30/35/40	205.5	213.7	机加工 Machining
2600-T11-CD	11	30/35/40	225.4	230.0	
2600-T12-CD	12	30/35/40	245.4	255.3	

如果您需要被动链轮带有轴承请与我们联系
Please contact to us if you need the Idler Wheel with bearing

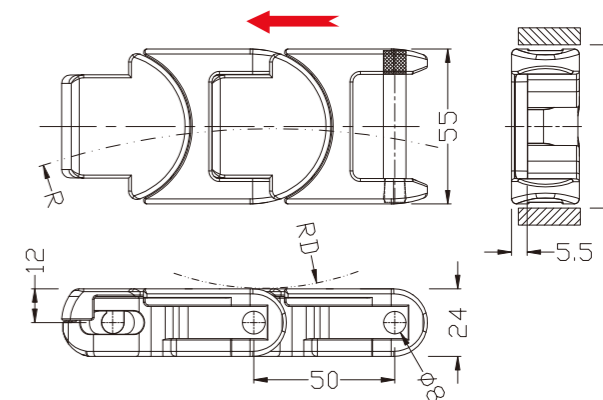
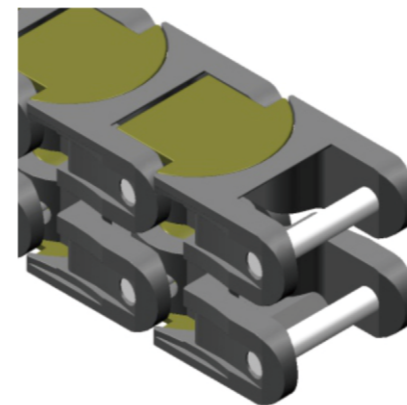
1775无缝龙骨链 Sideflex Run Single Hinge Chain



链板型号 Chain Type	链板宽度 Chain width	节距 Pitch	最小转弯半径 Sideflex Raius (Min)	最小背弯半径 Backflex Radius (Min)	工作载荷 Working Load(Max)	链板重量 Weight	链板材质 Chain Material
	mm	mm	mm	mm	牛顿 N (21℃)	Kg/m	
1775Gapless	70	25	150	80	1000	1.05	HDHG

标准包装: 5米/盒, 16.4英尺/盒 (200链节) Packing Standard: 5 Meters/Box 16.4 Feet /Box (200 Links)

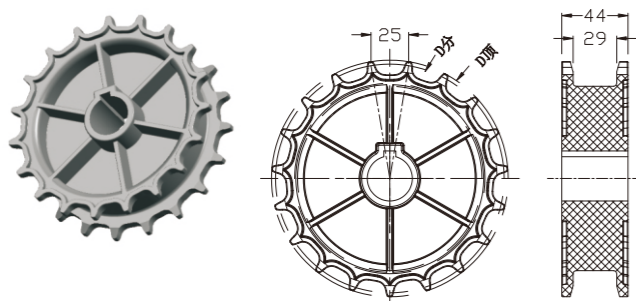
1765Gapless 无缝柔性链板 Straight Run Single Hinge Chain



链板型号 Chain Type	链板宽度 Chian width	节距 Pitch	最小转弯半径 Sideflex Raius (Min)	最小背弯半径 Backflex Radius (Min)	工作载荷 Working Load(Max)	链板重量 Weight	链板材质 Chain Material
	mm	mm	mm	mm	牛顿 N (21℃)	Kg/m	
1765Gapless	55	50	125	64	2670	1.46	HDHG

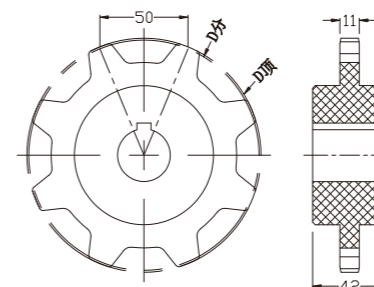
标准包装: 3.05米/盒, 10英尺/盒 (61链节) Packing Standard: 3.05 Meters/Box 10 Feet/Box (61 Links)

1775链轮-主动链轮 Sprocket-Drive Wheel



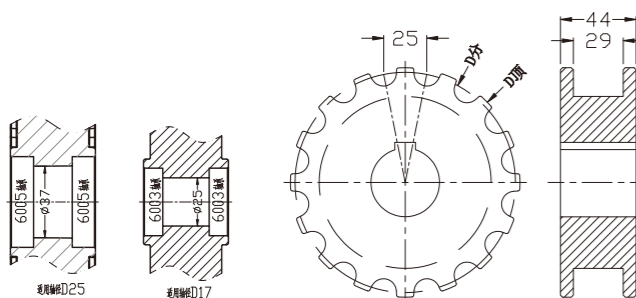
链轮型号 Sprocket Type	齿数 Number of Teeth	孔径 Bore mm	分度圆 Pitch Diameter mm	齿顶圆 Out Side Diameter mm	规格 Standstd
1775-T16-ZD	16	30/35/40	128.15	133.5	机加工 injection & Machining
1775-T19-ZD	19	30/35/40	151.89	157.2	
1775-T20-ZD	20	30/35/40	159.81	165.0	
1775-T21-ZD	21	30/35/40	167.77	173.1	

1765链轮-主动链轮 Sprocket-Drive Wheel



链轮型号 Sprocket Type	齿数 Number of Teeth	孔径 Bore mm	分度圆 Pitch Diameter mm	齿顶圆 Out Side Diameter mm	规格 Standstd
1765-T8-ZD	8	30/35/40	130.7	132.8	机加工 Machining
1765-T10-ZD	10	30/35/40	161.8	165.1	
1765-T13-ZD	13	30/35/40	209	215.2	

1775链轮-被动链轮-带轴承 1775 Sprocket-Idler Wheel with Bearing

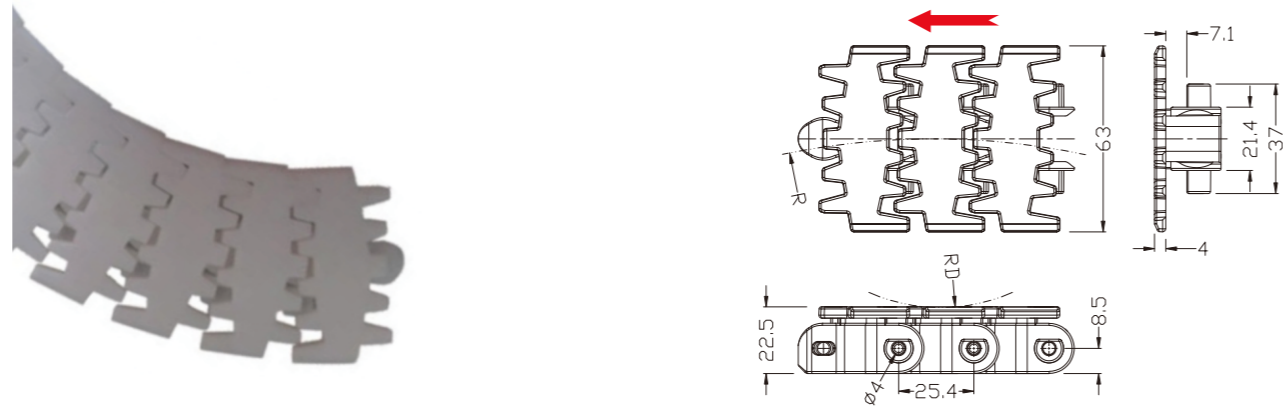


链轮型号 Sprocket Type	齿数 Number of Teeth	孔径 Bore mm	分度圆 Pitch Diameter mm	齿顶圆 Out Side Diameter mm	规格 Standstd
1775-T16-CD	16	30/35/40	128.15	133.5	机加工 injection & Machining
1775-T19-CD	19	30/35/40	151.89	157.2	
1775-T20-CD	20	30/35/40	159.81	165.0	
1775-T21-CD	21	30/35/40	167.77	173.1	

1765链轮-被动链轮-带轴承 Sprocket-Idler Wheel with Bearing

链轮型号 Sprocket Type	齿数 Number of Teeth	孔径 Bore mm	分度圆 Pitch Diameter mm	齿顶圆 Out Side Diameter mm	规格 Standstd
1765-T8-ZD	8	30/35/40	130.7	132.8	机加工 Machining
1765-T10-ZD	10	30/35/40	161.8	165.1	
1765-T13-ZD	13	30/35/40	209	215.2	

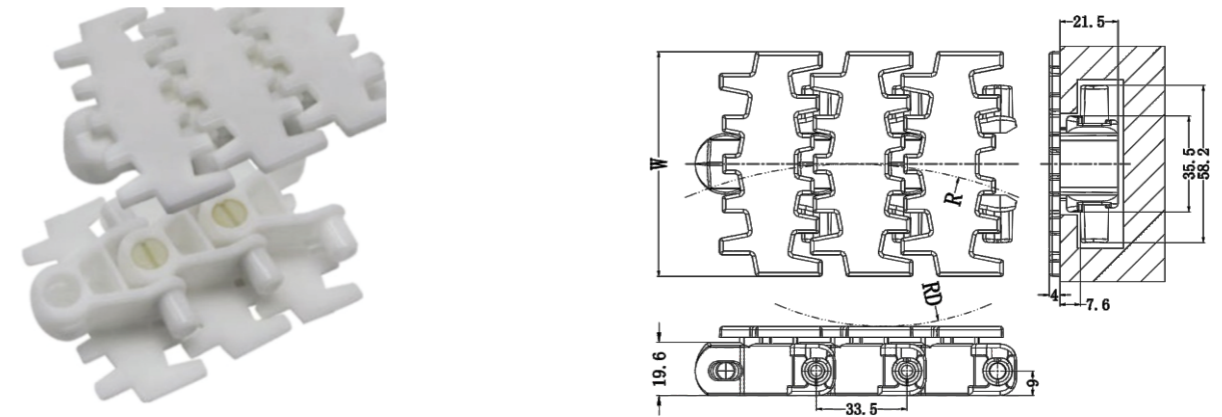
63A 齿形链 Plain Chain



链板型号 Chain Type	链板宽度 Chain width	节距 Pitch	最小转弯半径 Sideflex Raius (Min)	最小背弯半径 Backflex Radius(Min)	工作载荷 Working Load(Max)	链板重量 Weight	链板材质 Chain Material (White Color)
	mm	mm	mm	mm	牛顿 N (21℃)	Kg/m	
63A	63	25.4	150	100	2100	0.8	XLHS/XLGHs/PSHS

标准包装: 3.048米/盒, 10英尺/盒 (120链节) Packing Standard: 3.048 Meters/Box 10 Feet/Box (120 Links)

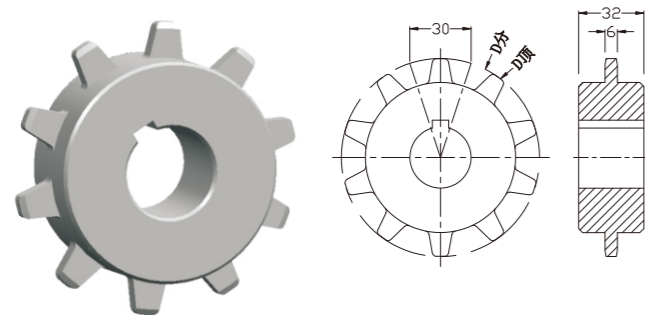
83A 齿形链 Plain Chain



链板型号 Chain Type	链板宽度 Chain width	节距 Pitch	最小转弯半径 Sideflex Raius (Min)	最小背弯半径 Backflex Radius(Min)	工作载荷 Working Load(Max)	链板重量 Weight	链板材质 Chain Material (White Color)
	mm	mm	mm	mm	牛顿 N (21℃)	Kg/m	
83A	83	33.5	160	100	2800	1.23	XLHS/XLGHs/PSHS

标准包装: 3.048米/盒, 10英尺/盒 (91链节) Packing Standard: 3.048 Meters/Box 10 Feet/Box (91 Links)

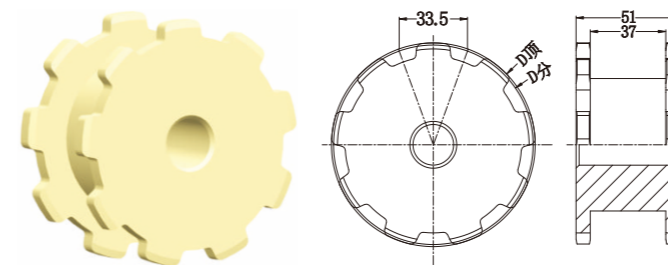
63A夹瓶链链轮 Plain Chain Sprocket



链轮型号 Sprocket Type	齿数 Number of Teeth	孔径 Bore	分度圆 Pitch Diameter	齿顶圆 Out Side Diameter	规格 Standstd
		mm	mm	mm	
63-10T	10	20/25/30	97.08	97	机加工 Machining
63-11T	11	20/25/30	106.48	106.4	
63-12T	12	20/25/30	115.91	115.8	

如果您需要被动链轮带有轴承请与我们联系
Please contact to us if you need the Idler Wheel with bearing

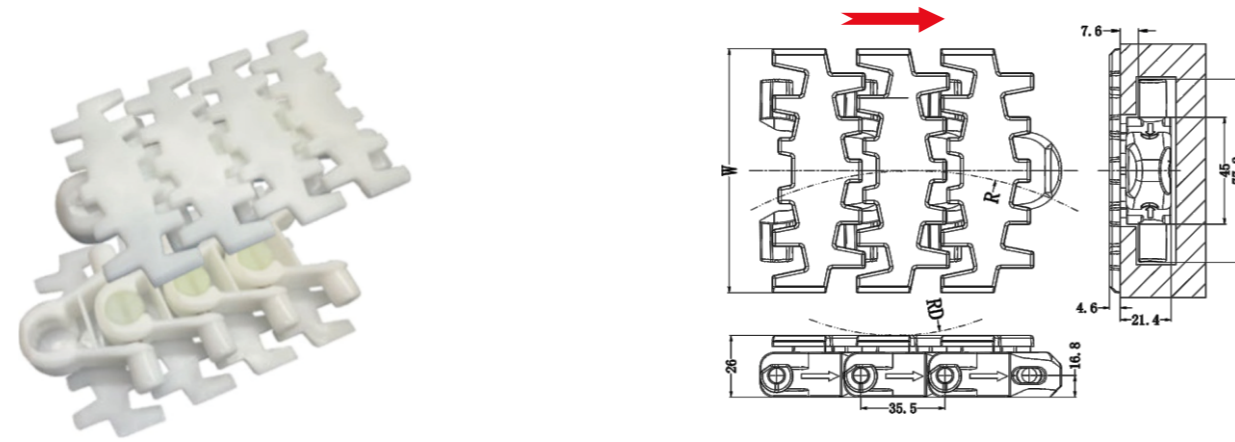
83A齿形链链轮 Plain Chain Sprocket



链轮型号 Sprocket Type	齿数 Number of Teeth	孔径 Bore	分度圆 Pitch Diameter	齿顶圆 Out Side Diameter	规格 Standstd
		mm	mm	mm	
83-9T	9	20/25/30	97.9	100	机加工 Machining
83-12T	12	20/25/30	129	135	

如果您需要被动链轮带有轴承请与我们联系
Please contact to us if you need the Idler Wheel with bearing

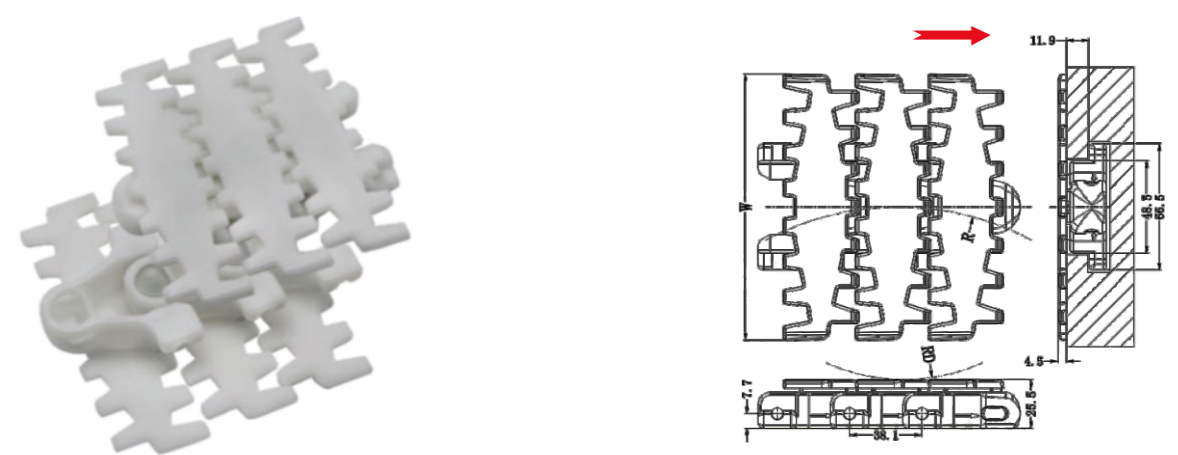
103A 齿形链 Plain Chain



链板型号 Chain Type	链板宽度 Chain width	节距 Pitch	最小转弯半径 Sideflex Raius (Min)	最小背弯半径 Backflex Radius(Min)	工作载荷 Working Load(Max)	链板重量 Weight	链板材质 Chain Material (White Color)
	mm	mm	mm	mm	牛顿 N (21℃)	Kg/m	
103-A	103	35.5	150	100	2100	1.76	XLHS/XLGH/PSHS

标准包装: 3.048米/盒, 10英尺/盒 (86链节) Packing Standard: 3.048 Meters/Box 10 Feet/Box (86 Links)

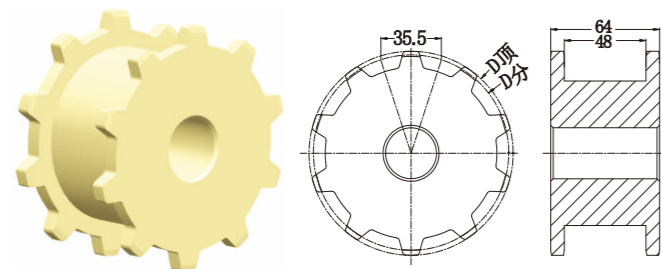
140A 齿形链 Plain Chain



链板型号 Chain Type	链板宽度 Chain width	节距 Pitch	最小转弯半径 Sideflex Raius (Min)	最小背弯半径 Backflex Radius(Min)	工作载荷 Working Load(Max)	链板重量 Weight	链板材质 Chain Material (White Color)
	mm	mm	mm	mm	牛顿 N (21℃)	Kg/m	
140A	140	38.1	150	100	2100	1.78	XLHS/XLGH/PSHS

标准包装: 3.048米/盒, 10英尺/盒 (80链节) Packing Standard: 3.048 Meters/Box 10 Feet/Box (80 Links)

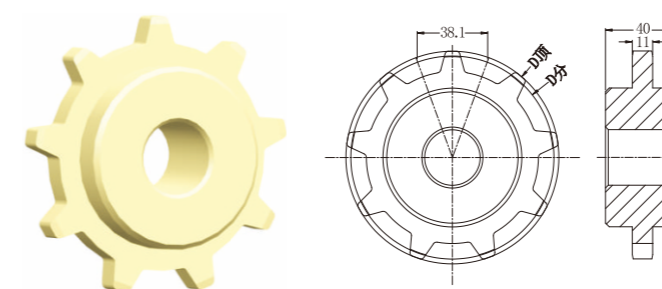
103A齿形链链轮 Plain Chain Sprocket



链轮型号 Sprocket Type	齿数 Number of Teeth	孔径 Bore	分度圆 Pitch Diameter	齿顶圆 Out Side Diameter	规格 Standstd
		mm	mm	mm	
103-9T	9	25-50	103.8	110	机加工 Machining
103-10T	10	25-50	114.9	120	
103-12T	12	25-50	137.2	145	

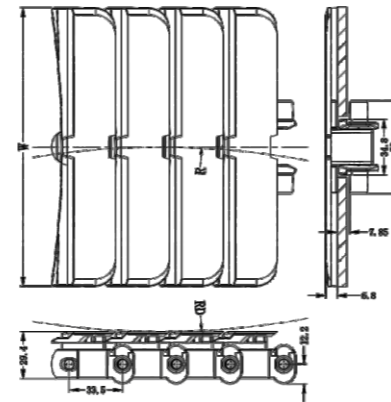
如果您需要被动链轮带有轴承请与我们联系
Please contact to us if you need the Idler Wheel with bearing

140A齿形链链轮 Plain Chain Sprocket



链轮型号 Sprocket Type	齿数 Number of Teeth	孔径 Bore	分度圆 Pitch Diameter	齿顶圆 Out Side Diameter	规格 Standstd
		mm	mm	mm	
140-9T	9	25-30	109.8	115	机加工 Machining
140-11T	11	25-30	133.3	138	
140-13T	13	25-30	156.9	166	

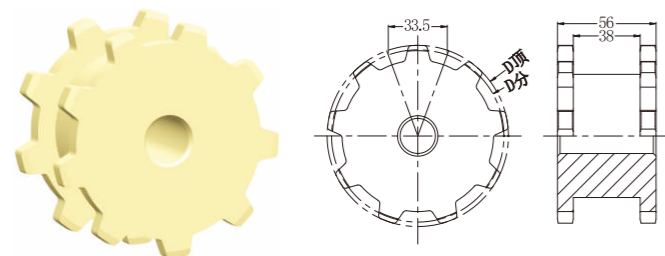
175平顶转弯链 Side Flex Chian



链板型号 Chain Type	链板宽度 Chian width	节距 Pitch	最小转弯半径 Sideflex Raius (Min)	最小背弯半径 Backflex Radius(Min)	工作载荷 Working Load(Max)	链板重量 Weight	链板材质 Chain Material (White Color)
	mm	mm	mm	mm	牛顿 N (21℃)	Kg/m	
175	175	33.5	500	50	1250	1.53	XLHS/XLGHS/PSHS

标准包装: 3.048米/盒, 10英尺/盒 (91链节) Packing Standard: 3.048 Meters/Box 10 Feet/Box (91 Links)

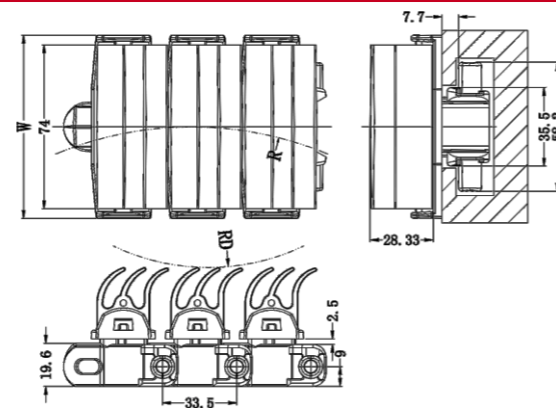
175链轮 Sprocket



链轮型号 Sprocket Type	齿数 Number of Teeth	孔径 Bore	分度圆 Pitch Diameter	齿顶圆 Out Side Diameter	规格 Standstd
175-9T	9	20	97.5	103	机加工 Machining
175-12T	12	20	129.0	135	

如果您需要被动链轮带有轴承请联系我们
Please contact to us if you need the Idler Wheel with bearing

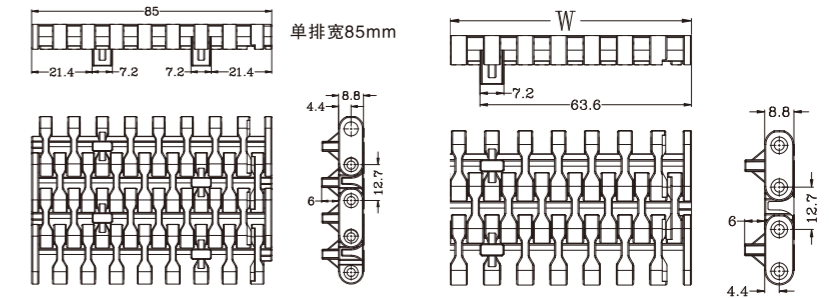
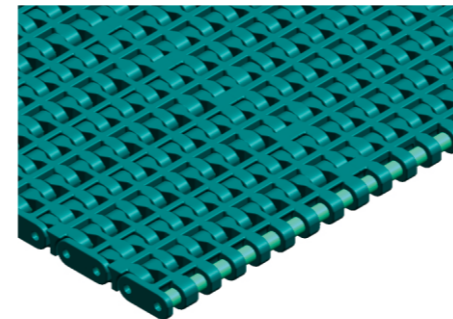
83-G3夹瓶链 Finger Gripper Chain



链板型号 Chain Type	链板宽度 Chian width	节距 Pitch	最小转弯半径 Sideflex Raius (Min)	最小背弯半径 Backflex Radius(Min)	工作载荷 Working Load(Max)	链板重量 Weight	链板材质 Chain Material (White Color)
	mm	mm	mm	mm	牛顿 N (21℃)	Kg/m	
83-G3	83	33.5	160	150	2800	1.62	XLHS/XLGHS/PSHS

标准包装: 3.048米/盒, 10英尺/盒 (91链节) Packing Standard: 3.048 Meters/Box 10 Feet/Box (91 Links)

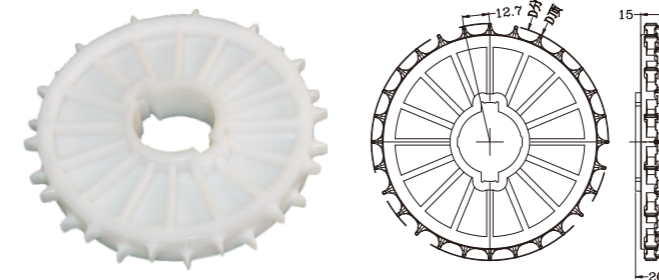
500-FG 系列直行平格链网 Serise Grid Straight Run Belt



链网型号 Belts Type	节距 Pitch	最小背弯半径 Backflex Radius (Min)	工作载荷 Woking Load (Max)		工作温度 Working temperature °C		链板重量 Weight	销轴材质 Pin material	链网材质 Belt Material	链网宽度 Belt Width		
			牛顿 N (21℃)		Dry	Wet				模块宽度 Mold parts Width		标准组合拼装 Standard Assembly Width
500-FG	12.7	10	13000	4-65	4-65	6	PP	XLGHS	85	170	W=85*N	
			16000	4-65	4-65	6	PBT	HDHS				
			13000	4-104	4-104	6	PP	PSHS	切割链网宽度 Cut Belt Width			
			6500	4-104	4-104	4.2	PP	XPHS	W=85*N+10n	10毫米增量递增	10mm increments	

标准包装: 3.048米/盒, 10英尺/盒 (240链节) Packing Standard: 3.048 Meters/Box 10 Feet/Box (240 Links)

500链轮-主动链轮 Sprocket-Drive Wheel

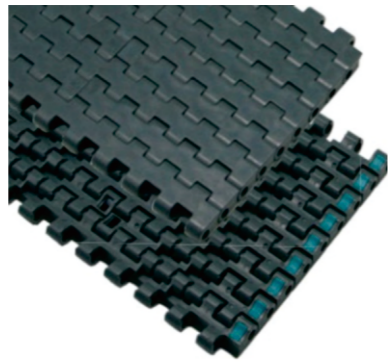


链轮型号 Sprocket Type	齿数 Number of Teeth	孔径 Bore	分度圆 Pitch Diameter	齿顶圆 Out Side Diameter	规格 Standstd
500-T16-ZD	16	30/35/40	65.2	65.2	机加工 injection & Machining
500-T28-ZD	28	30/35/40	113.4	113.4	
500-T38-ZD	38	30/35/40	153.8	153.1	

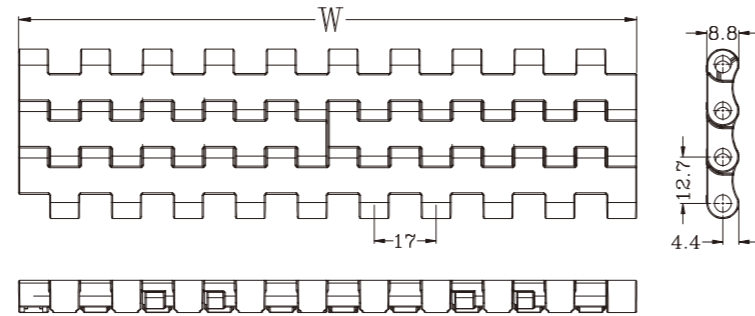
500链轮-被动链轮 Sprocket-Idler Wheel

链轮型号 Sprocket Type	齿数 Number of Teeth	孔径 Bore	分度圆 Pitch Diameter	齿顶圆 Out Side Diameter	规格 Standstd
500-T16-CD	16	30/35/40	65.2	65.2	机加工 injection & Machining
500-T28-CD	28	30/35/40	113.4	113.4	
500-T38-CD	38	30/35/40	153.8	153.1	

2120-FT 系列直行平顶链网 Serise Straight Run Belt



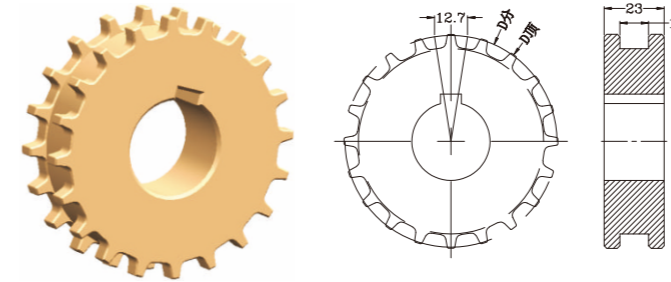
开孔率: 0%



链网型号 Belts Type	节距 Pitch mm	最小背弯半径 Backflex Radius (Min) mm	工作载荷 Woking Load (Max)			链板重量 Weight Kg/m ²	销轴材质 Pin material	链网材质 Belt Material	链网宽度 Belt Width		
			牛顿 N (21°C)	Dry	Wet				模块宽度 Mold parts Width		标准组合拼装 Standard Assembly Width
2120-FT	12.7	10	10000	4-65	4-65	9	PP	XLGHS	85	170	W=85*N
			15000	4-65	4-65	9.2	PBT	HDHS			
			切割链网宽度 Cut Belt Width								
			10000	4-104	4-104	9	PP	PSHS	W=85*N+10n 10毫米增量递增 10mm increments		
			6500	4-104	4-104	6.5	PP	XPHS	W=85*N+10n 10毫米增量递增 10mm increments		

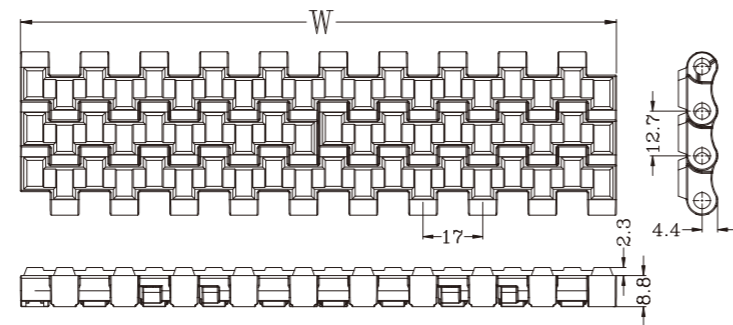
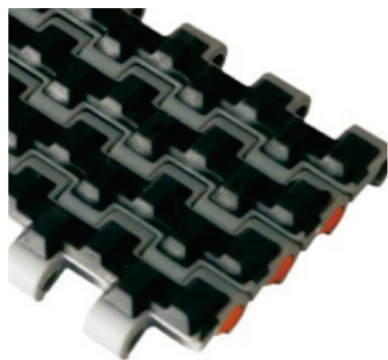
标准包装: 3.048米/盒, 10英尺/盒 (240链节) Packing Standard: 3.048 Meters/Box 10 Feet/Box (240 Links)

2120链轮-主动链轮 Sprocket-Drive Wheel



链轮型号 Sprocket Type	齿数 Number of Teeth	孔径 Bore mm	分度圆 Pitch Diameter mm	齿顶圆 Out Side Diameter mm	规格 Standstd
2120-T16-ZD	16	30/35/40	65.2	65.2	机加工 injection& Machining
2120-T28-ZD	28	30/35/40	113.4	113.4	
2120-T38-ZD	38	30/35/40	153.8	153.1	

2120-SGS 系列直行顶部橡胶链网 Serise Super Grip Surface Straight Run Belt



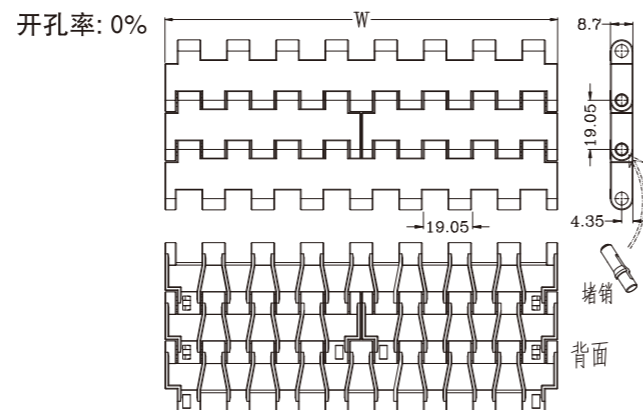
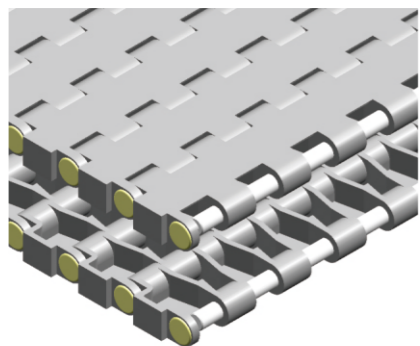
链网型号 Belts Type	节距 Pitch mm	最小背弯半径 Backflex Radius (Min) mm	工作载荷 Woking Load (Max)			链板重量 Weight Kg/m ²	销轴材质 Pin material	链网材质 Belt Material	链网宽度 Belt Width		
			牛顿 N (21°C)	Dry	Wet				模块宽度 Mold parts Width		标准组合拼装 Standard Assembly Width
2120-SGS	12.7	10	10000	4-65	4-65	9.3	PP	XLGHS	85	170	W=85*N
			15000	4-65	4-65	9.5	PBT	HDHS			
			切割链网宽度 Cut Belt Width								
			10000	4-104	4-104	9.3	PP	PSHS	W=85*N+10n 10毫米增量递增 10mm increments		
			6500	4-104	4-104	6.8	PP	XPHS	W=85*N+10n 10毫米增量递增 10mm increments		

标准包装: 3.048米/盒, 10英尺/盒 (240链节) Packing Standard: 3.048 Meters/Box 10 Feet/Box (240 Links)

2120链轮-被动链轮 Sprocket-Idler Wheel

链轮型号 Sprocket Type	齿数 Number of Teeth	孔径 Bore mm	分度圆 Pitch Diameter mm	齿顶圆 Out Side Diameter mm	规格 Standstd
2120-T16-CD	16	30/35/40	65.2	65.2	机加工 injection& Machining
2120-T28-CD	28	30/35/40	113.4	113.4	
2120-T38-CD	38	30/35/40	153.8	153.1	

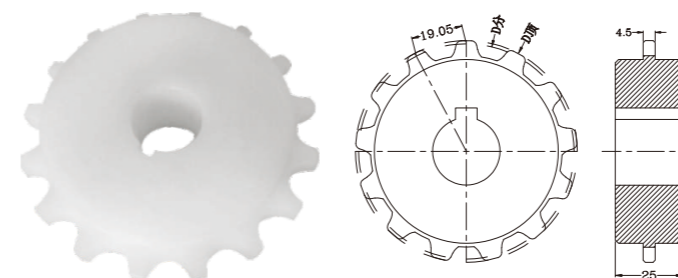
5935-FT 系列直行平顶链网 Serise Straight Run Belt



链网型号 Belts Type	节距 Pitch mm	最小背弯半径 Backflex Radius (Min) mm	工作载荷 Woking Load (Max)			链板重量 Weight Kg/m ²	销轴材质 Pin material	链网材质 Belt Material	链网宽度 Belt Width				
			牛顿 N (21℃)	Dry	Wet				模块宽度 Mold parts Width		标准组合拼装 Standard Assembly Width		
5935-FT	19.05	25	13000	4-65	4-65	6.72	PP	XLGHS	模块宽度 Mold parts Width				
			16000	4-65	4-65	6.82	PBT	HDHS				76.2	152.4
			切割链网宽度 Cut Belt Width									标准组合拼装 Standard Assembly Width	
												13000	4-104
			7000	4-104	4-104	5.3	PP	XPHS					

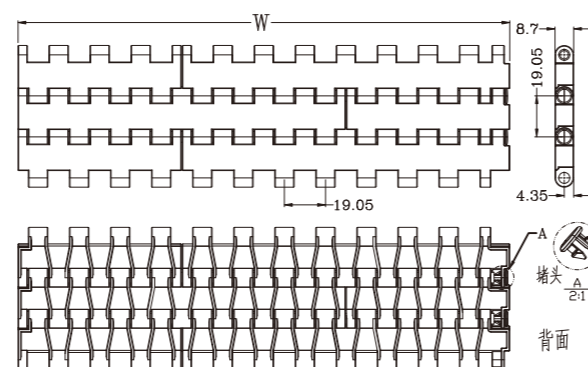
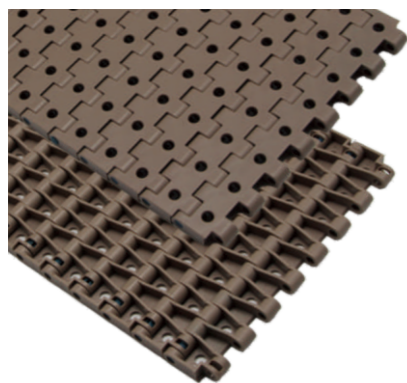
标准包装: 3.048米/盒, 10英尺/盒 (160链节) Packing Standard: 3.048 Meters/Box 10 Feet/Box (160 Links)

5935链轮-主动链轮 Sprocket-Drive Wheel



链轮型号 Sprocket Type	齿数 Number of Teeth	孔径 Bore mm	分度圆 Pitch Diameter mm	齿顶圆 Out Side Diameter mm	规格 Standstd
5935-T10-ZD	10	25	62.2	63.5	机加工 injection& Machining
5935-T24-ZD	24	30/35/40	147.3	149.2	
5935-T25-ZD	25	30/35/40	153.4	156.2	

5935-FG 系列直行平格链网 Serise Straight Run Belt



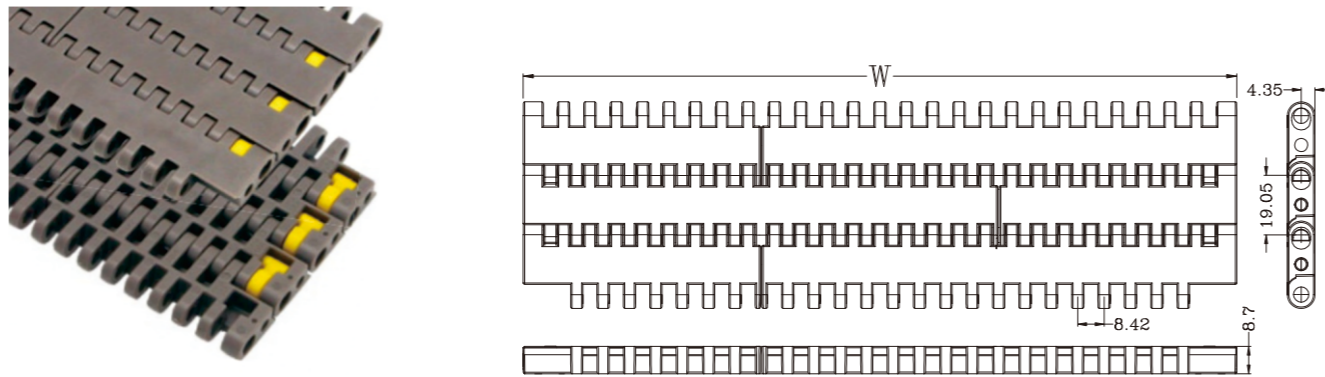
链网型号 Belts Type	节距 Pitch mm	最小背弯半径 Backflex Radius (Min) mm	工作载荷 Woking Load (Max)			链板重量 Weight Kg/m ²	销轴材质 Pin material	链网材质 Belt Material	链网宽度 Belt Width				
			牛顿 N (21℃)	Dry	Wet				模块宽度 Mold parts Width		标准组合拼装 Standard Assembly Width		
5935-FG	19.05	25	13000	4-65	4-65	6.72	PP	XLGHS	模块宽度 Mold parts Width				
			16000	4-65	4-65	6.82	PBT	HDHS				76.2	152.4
			切割链网宽度 Cut Belt Width									标准组合拼装 Standard Assembly Width	
												13000	4-104
			7000	4-104	4-104	5.3	PP	XPHS					

标准包装: 3.048米/盒, 10英尺/盒 (160链节) Packing Standard: 3.048 Meters/Box 10 Feet/Box (160 Links)

5935链轮-被动链轮 Sprocket-Idler Wheel

链轮型号 Sprocket Type	齿数 Number of Teeth	孔径 Bore mm	分度圆 Pitch Diameter mm	齿顶圆 Out Side Diameter mm	规格 Standstd
5935-T10-CD	10	25	62.2	63.5	机加工 injection& Machining
5935-T24-CD	24	30/35/40	147.3	149.2	
5935-T25-CD	25	30/35/40	153.4	156.2	

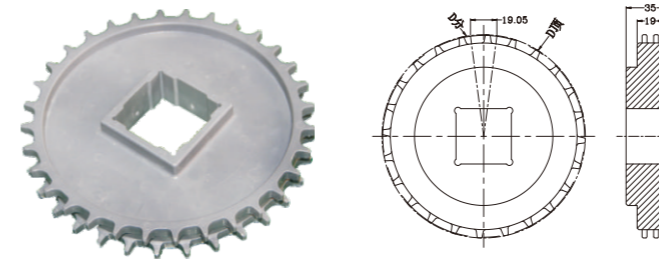
8500-FT 系列直行平顶链网 Serise Straight Run Belt



链网型号 Belts Type	节距 Pitch mm	最小背弯半径 Backflex Radius (Min) mm	工作载荷 Woking Load (Max)			链板重量 Weight Kg/m ²	销轴材质 Pin material	链网材质 Belt Material	链网宽度 Belt Width		
			牛顿 N (21℃)	Dry	Wet				模块宽度 Mold parts Width		标准组合拼装 Standard Assembly Width
8500-FT	19.05	25	23000	4-65	4-65	8.9	PP	XLGHS	切割链网宽度 Cut Belt Width		
			29000	4-65	4-65	9	PBT	HDHS	76.2	152.4	W=76.2*N
			23000	4-104	4-104	8.9	PP	PSHS	切割链网宽度 Cut Belt Width		
			16000	4-104	4-104	6	PP	XPHS	W=76.2*N+ 19.05n	19.05毫米增量递增 19.05mm increments	

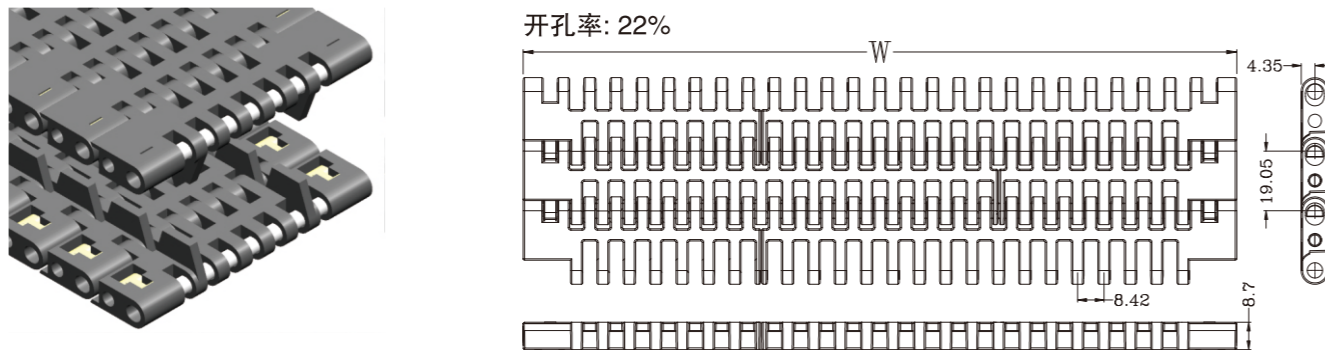
标准包装: 3.048米/盒, 10英尺/盒 (160链节) Packing Standard: 3.048 Meters/Box 10 Feet/Box (160 Links)

8500链轮-主动链轮 Sprocket-Drive Wheel



链轮型号 Sprocket Type	齿数 Number of Teeth	孔径 Bore mm	分度圆 Pitch Diameter mm	齿顶圆 Out Side Diameter mm	规格 Standstd
5935-T21-ZD	21	30/35/40	129	130	机加工
5935-T24-ZD	24	30/35/40	146	147.0	机加工
5935-T25-ZD	25	30/35/40	153.4	153.7	机加工

8500-FG 系列直行平格链网 Serise Straight Run Belt



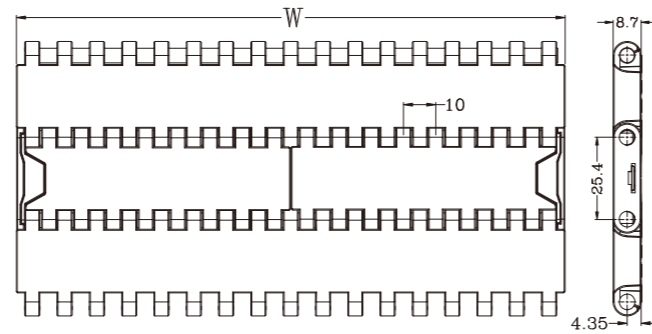
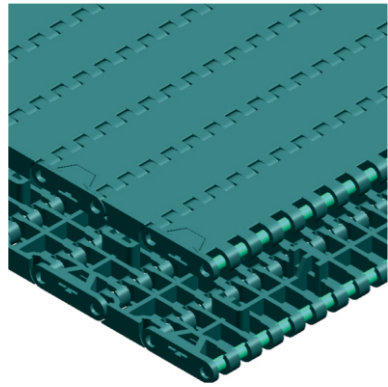
链网型号 Belts Type	节距 Pitch mm	最小背弯半径 Backflex Radius (Min) mm	工作载荷 Woking Load (Max)			链板重量 Weight Kg/m ²	销轴材质 Pin material	链网材质 Belt Material	链网宽度 Belt Width		
			牛顿 N (21℃)	Dry	Wet				模块宽度 Mold parts Width		标准组合拼装 Standard Assembly Width
8500-FG	19.05	25	23000	4-65	4-65	8.9	PP	XLGHS	切割链网宽度 Cut Belt Width		
			29000	4-65	4-65	9	PBT	HDHS	76.2/152.4/304.8	W=152.4*N	
			23000	4-104	4-104	8.9	PP	PSHS	切割链网宽度 Cut Belt Width		
			16000	4-104	4-104	6	PP	XPHS	W=152.4*N+ 8.42n	8.42毫米增量递增 8.42mm increments	

标准包装: 3.048米/盒, 10英尺/盒 (160链节) Packing Standard: 3.048 Meters/Box 10 Feet/Box (160 Links)

8500链轮-被动链轮 Sprocket-Idler Wheel

链轮型号 Sprocket Type	齿数 Number of Teeth	孔径 Bore mm	分度圆 Pitch Diameter mm	齿顶圆 Out Side Diameter mm	规格 Standstd
5935-T21-CD	10	25	62.2	63.5	机加工
5935-T24-CD	24	30/35/40	147.3	149.2	机加工
5935-T25-CD	25	30/35/40	153.4	156.2	机加工

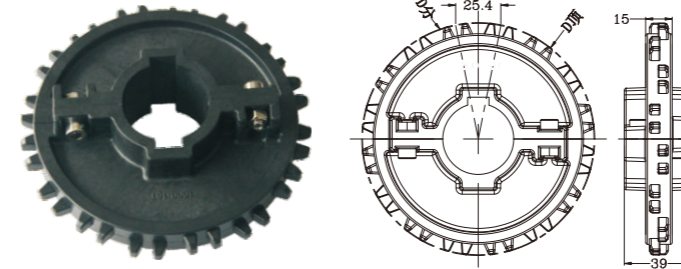
1000系列直行平顶链网 Serise Straight Run Flat Top Belt



链网型号 Belts Type	节距 Pitch mm	最小背弯半径 Backflex Radius (Min) mm	工作载荷 Woking Load (Max)			链板重量 Weight Kg/m ²	销轴材质 Pin material	链网材质 Belt Material	链网宽度 Belt Width		
			牛顿 N (21℃)	Dry	Wet				模块宽度 Mold parts Width		标准组合拼装 Standard Assembly Width
1000-FT	25.4	25	22000	4-65	4-65	6.5KG	PP	XLGHS	85	170	W=85*N
			27000	4-65	4-65	6.6KG	PBT	HDHS			
			切割链网宽度 Cut Belt Width								
			22000	4-104	4-104	6.6KG	PP	PSHS	W=85*N+10n		10毫米增量递增 10mm increments
			11000	4-104	4-104	4.3KG	PP	XPHS			

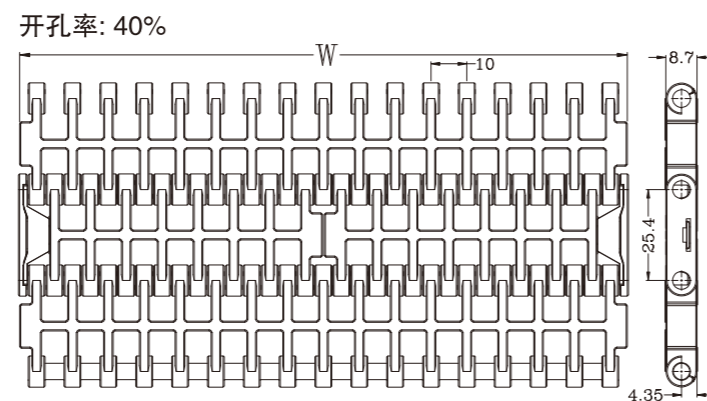
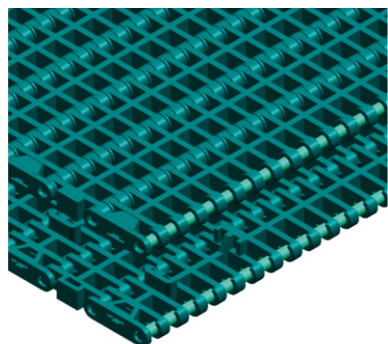
标准包装: 3.048米/盒, 10英尺/盒 (120链节) Packing Standard: 3.048 Meters/Box 10 Feet/Box (120 Links)

1000链轮-主动链轮 Sprocket-Drive Wheel



链轮型号 Sprocket Type	齿数 Number of Teeth	孔径 Bore mm	分度圆 Pitch Diameter mm	齿顶圆 Out Side Diameter mm	规格 Standstd
1000-T16-ZD	16	30/35/40	130.2	130.6	机加工 injection& Machining
1000-T18-ZD	18	30/35/40	146.3	146.8	
1000-T20-ZD	20	30/35/40	162.4	163.1	

1000系列直行平格链网 Serise Straight Run Flat Top Belt

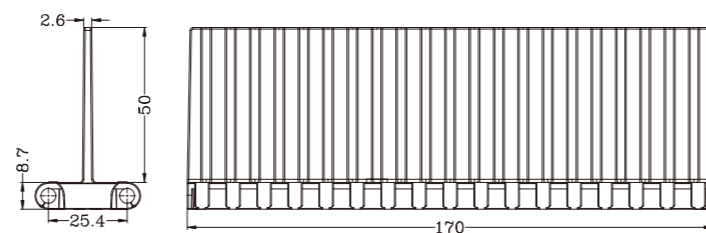
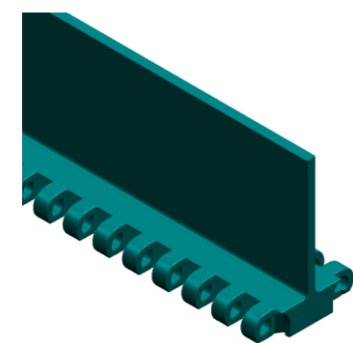
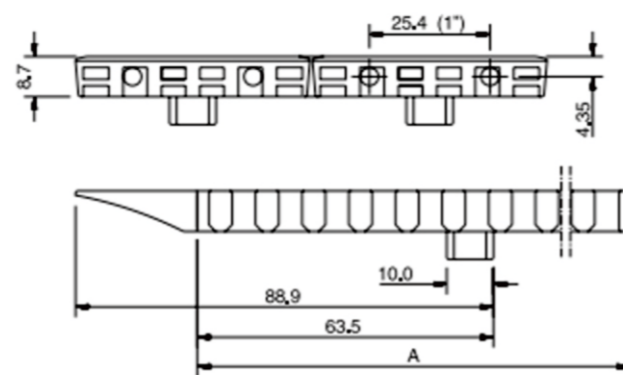
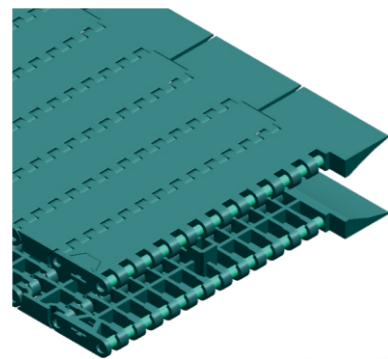
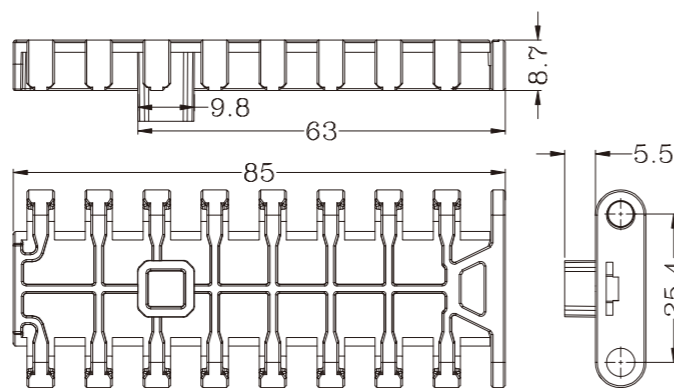
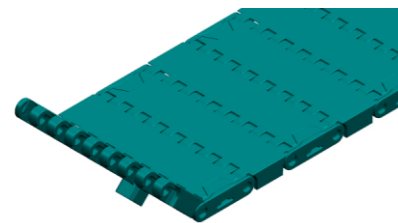
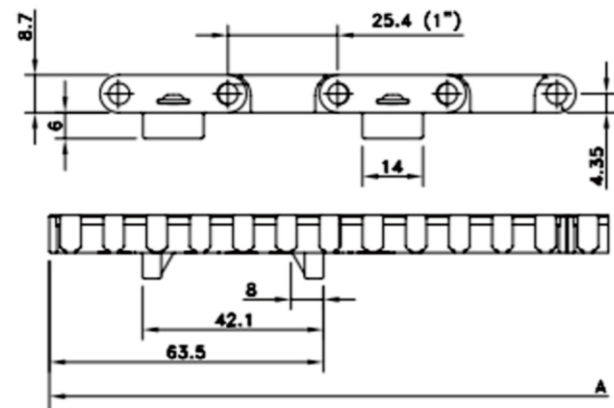
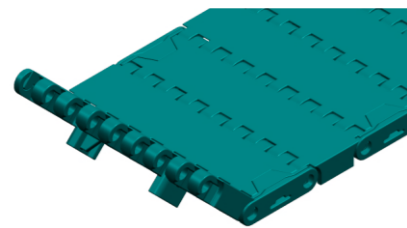


链网型号 Belts Type	节距 Pitch mm	最小背弯半径 Backflex Radius (Min) mm	工作载荷 Woking Load (Max)			链板重量 Weight Kg/m ²	销轴材质 Pin material	链网材质 Belt Material	链网宽度 Belt Width		
			牛顿 N (21℃)	Dry	Wet				模块宽度 Mold parts Width		标准组合拼装 Standard Assembly Width
1000-FG	25.4	25	22000	4-65	4-65	6.5KG	PP	XLGHS	85	170	W=85*N
			27000	4-65	4-65	6.6KG	PBT	HDHS			
			切割链网宽度 Cut Belt Width								
			22000	4-104	4-104	6.6KG	PP	PSHS	W=85*N+10n		10毫米增量递增 10mm increments
			11000	4-104	4-104	4.3KG	PP	XPHS			

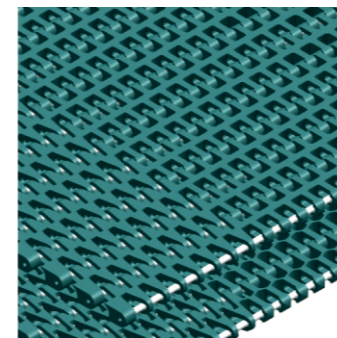
标准包装: 3.048米/盒, 10英尺/盒 (120链节) Packing Standard: 3.048 Meters/Box 10 Feet/Box (120 Links)

1000链轮-被动链轮 Sprocket-Idler Wheel

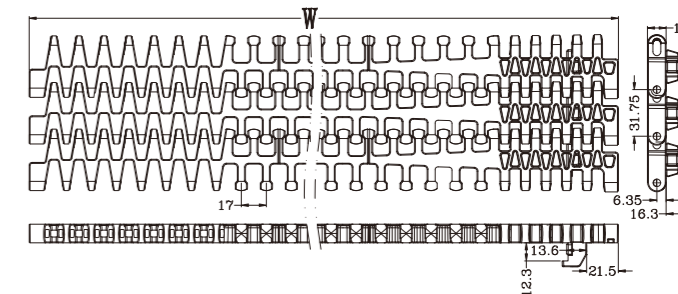
链轮型号 Sprocket Type	齿数 Number of Teeth	孔径 Bore mm	分度圆 Pitch Diameter mm	齿顶圆 Out Side Diameter mm	规格 Standstd
1000-T16-CD	16	30/35/40	130.2	130.6	机加工 injection& Machining
1000-T18-CD	18	30/35/40	146.3	146.8	
1000-T20-CD	20	30/35/40	162.4	163.1	



1285系列可变节距链网 Serise Side AutoRadius Sideflex Run Flat Top Belt



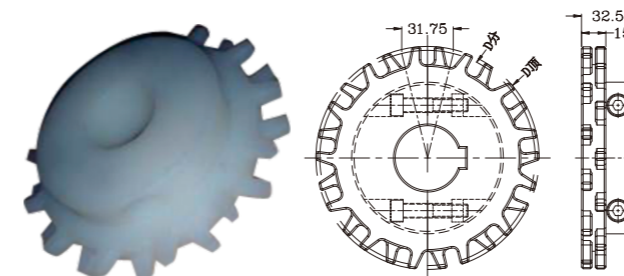
开孔率: 39% 最小内转弯半径为带宽的1.5倍, 2倍为最优



链网型号 Belts Type	节距 Pitch mm	最小背弯半径 Backflex Radius (Min) mm	工作载荷 Woking Load (Max) 牛顿 N(21°C)		工作温度 Working emperature °C		链板重量 Weight Kg/m ²	销轴材质 Pin material	链网材质 Belt Material	链网宽度 Belt Width		最小转弯半径 Sideflex Raius (Min) mm
			22000	27000	Dry	Wet				模块宽度 Mold parts Width	标准组合拼装 Standard Assembly Width	
128-RBT	37.15	25	22000	27000	4-65		8	PBT	XLGHS	85	170	1.5W
			标准组合拼装 Standard Assembly Width W=425+85*N									
			22000		4-104		8	PBT	PSHS	切割链网宽度 Cut Belt Width		
										W=425+ 85*N+17n	17毫米增量递增 17mm increments	

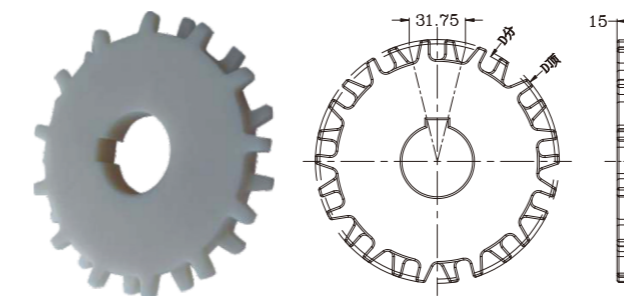
标准包装: 3.048米/盒, 10英尺/盒 (96链节) Packing Standard: 3.048 Meters/Box 10 Feet/Box (96 Links)

1285链轮-主动链轮 Sprocket-Drive Wheel



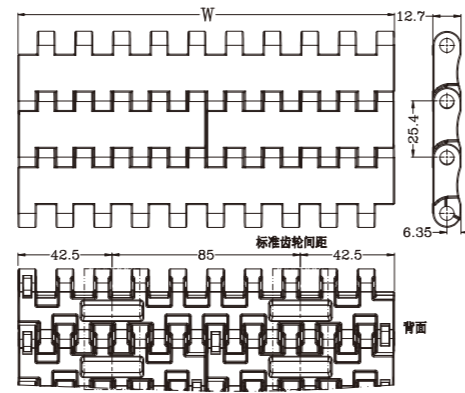
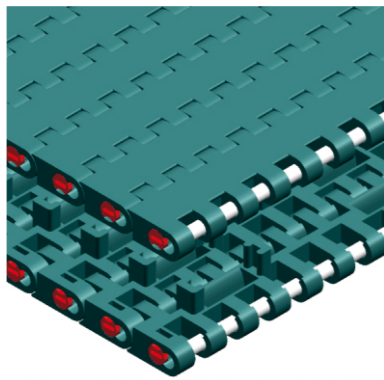
链轮型号 Sprocket Type	齿数 Number of Teeth	孔径 Bore mm	分度圆 Pitch Diameter mm	齿顶圆 Out Side Diameter mm	规格 Standstd
1285-T13-ZD	13	30/35/40	132.7	137.5	机加工 Machining
1285-T15-ZD	15	30/35/40	152.7	158.1	
1285-T16-ZD	16	30/35/40	162.8	168.3	

1285链轮-被动链轮 Sprocket-Idler Wheel



链轮型号 Sprocket Type	齿数 Number of Teeth	孔径 Bore mm	分度圆 Pitch Diameter mm	齿顶圆 Out Side Diameter mm	规格 Standstd
1285-T13-CD	13	30/35/40	132.7	137.5	机加工 Machining
1285-T15-CD	15	30/35/40	152.7	158.1	
1285-T16-CD	16	30/35/40	162.8	168.3	

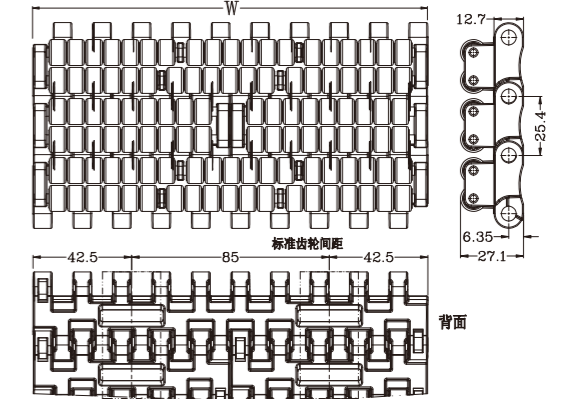
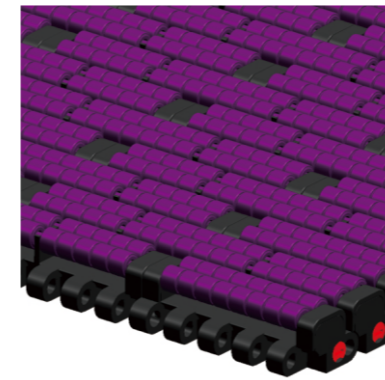
1005系列直行链网 Serise Straight Run Belt



链网型号 Belts Type	节距 Pitch mm	最小背弯半径 Backflex Radius (Min) mm	工作载荷 Woking Load (Max) 牛顿 N (21℃)			工作温度 Working emperature ℃			链板重量 Weight Kg/m ²	销轴材质 Pin material	链网材质 Belt Material	链网宽度 Belt Width		
			Dry	Wet		Dry	Wet					模块宽度 Mold parts Width	标准组合拼装 Standard Assembly Width	
1005-FT	25.4	25	35000	4-65	4-65	13.5	PP	XLGHS	85	170	W=85*N			
			45000	4-65	4-65	13.5	PBT	HDHS						
			35000	4-104	4-104	13.5	PP	PSHS	切割链网宽度 Cut Belt Width					
			17500	4-104	4-104	9	PP	XPHS	W=85*N+10n	10毫米增量递增 10mm increments				

标准包装: 3.048米/盒, 10英尺/盒 (120链节) Packing Standard: 3.048 Meters/Box 10 Feet/Box (120 Links)

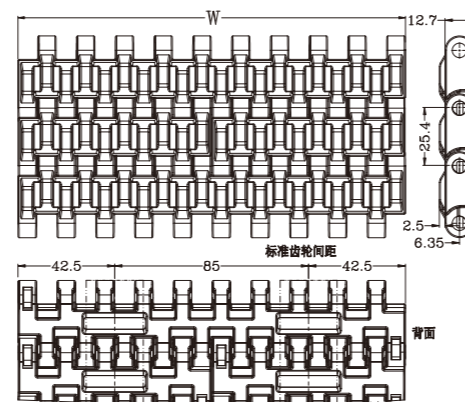
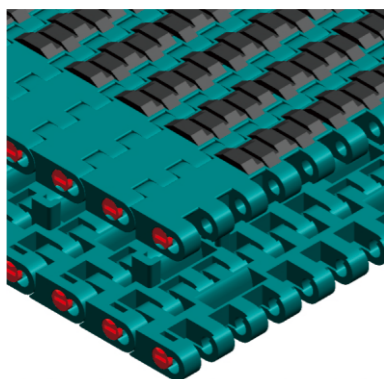
1005系列滚珠直行链网 Serise Roller Straight Run Belt



链网型号 Belts Type	节距 Pitch mm	最小背弯半径 Backflex Radius (Min) mm	工作载荷 Woking Load (Max) 牛顿 N (21℃)			工作温度 Working emperature ℃			链板重量 Weight Kg/m ²	销轴材质 Pin material	链网材质 Belt Material	链网宽度 Belt Width		
			Dry	Wet		Dry	Wet					模块宽度 Mold parts Width	标准组合拼装 Standard Assembly Width	
1005-LBP	25.4	25	35000	4-65	4-65	30.1	PP	XLGHS	85	170	W=85*N			
			45000	4-65	4-65	30.1	PBT	HDHS						
			35000	4-104	4-104	30.1	PP	PSHS	切割链网宽度 Cut Belt Width					
			17500	4-104	4-104	25.5	PP	XPHS	W=85*N+10n	10毫米增量递增 10mm increments				

标准包装: 3.048米/盒, 10英尺/盒 (120链节) Packing Standard: 3.048 Meters/Box 10 Feet/Box (120 Links)

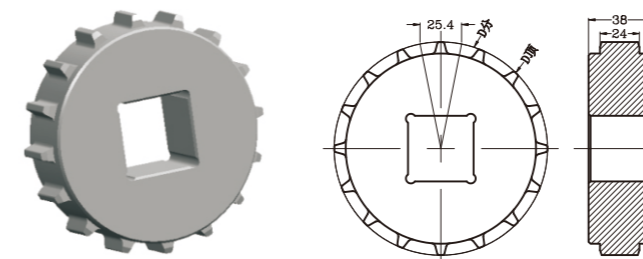
1005系列顶部橡胶直行链网 Serise Super Grid Surface Straight Run Belt



链网型号 Belts Type	节距 Pitch mm	最小背弯半径 Backflex Radius (Min) mm	工作载荷 Woking Load (Max) 牛顿 N (21℃)			工作温度 Working emperature ℃			链板重量 Weight Kg/m ²	销轴材质 Pin material	链网材质 Belt Material	链网宽度 Belt Width		
			Dry	Wet		Dry	Wet					模块宽度 Mold parts Width	标准组合拼装 Standard Assembly Width	
1005-SGS	25.4	25	35000	4-65	4-65	14.1	PP	XLGHS	85	170	W=85*N			
			45000	4-65	4-65	14.1	PBT	HDHS						
			35000	4-104	4-104	14.1	PP	PSHS	切割链网宽度 Cut Belt Width					
			17500	4-104	4-104	10.1	PP	XPHS	W=85*N+10n	10毫米增量递增 10mm increments				

标准包装: 3.048米/盒, 10英尺/盒 (120链节) Packing Standard: 3.048 Meters/Box 10 Feet/Box (120 Links)

1005链轮-主动链轮 Sprocket-Drive Wheel

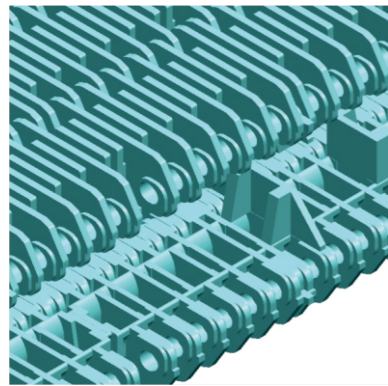


链轮型号 Sprocket Type	齿数 Number of Teeth	孔径 Bore mm	分度圆 Pitch Diameter mm	齿顶圆 Out Side Diameter mm	规格 Standstd
1005-T16-ZD	16	30/35/40	130.2	130.6	机加工 injection& Machining
1005-T18-ZD	18	30/35/40	146.3	146.8	
1005-T21-ZD	20	30/35/40	169.7	170.3	

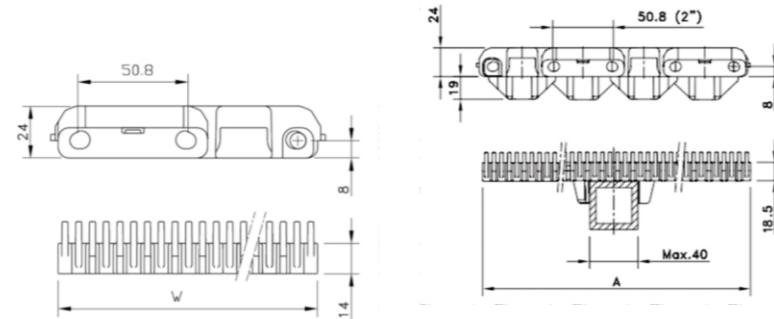
1005链轮-被动链轮 Sprocket-Idler Wheel

链轮型号 Sprocket Type	齿数 Number of Teeth	孔径 Bore mm	分度圆 Pitch Diameter mm	齿顶圆 Out Side Diameter mm	规格 Standstd
1005-T16-CD	16	30/35/40	130.2	130.6	机加工 injection& Machining
1005-T18-CD	18	30/35/40	146.3	146.8	
1005-T21-CD	20	30/35/40	169.7	170.3	

2000系列凸肋链网 Serise Super Rib Straight Run Belt

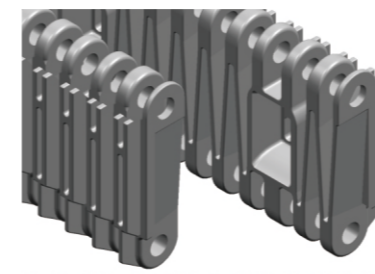


开孔率: 30%

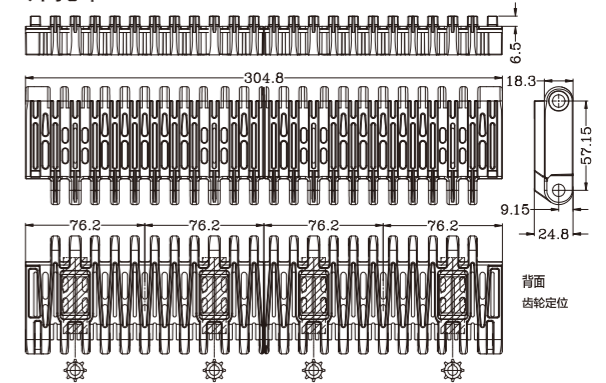


链网型号 Belts Type	节距 Pitch mm	最小背弯半径 Backflex Radius (Min) mm	工作载荷 Woking Load (Max) 牛顿 N(21℃)	工作温度 Working emperature ℃ Dry	链板重量 Weight Kg/m ²	销轴材质 Pin material	链网材质 Belt Material	链网宽度 Belt Width		
								模块宽度 Mold parts Width		标准组合拼装 Standard Assembly Width
2000-RR	50.8	75	29500	4-104	10.6	PP	XPHS	76.2	152.4	W=152.4*N
								切割链网宽度 Cut Belt Width		
								152.4毫米增量递增 152.4mm increments		

5997系列凸肋链网 Serise Super Rib Straight Run Belt

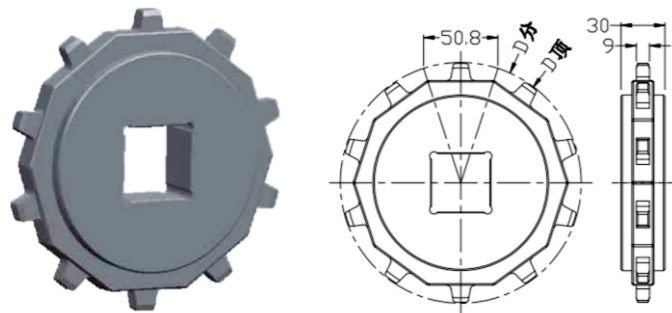


开孔率: 22%



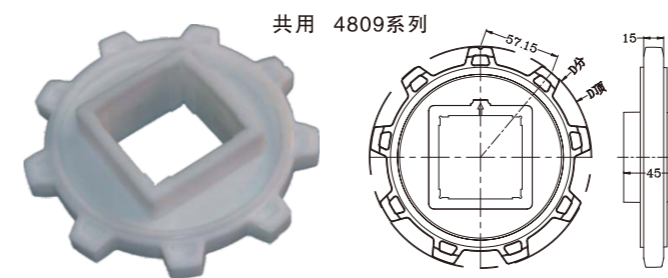
链网型号 Belts Type	节距 Pitch mm	最小背弯半径 Backflex Radius (Min) mm	工作载荷 Woking Load (Max) 牛顿 N(21℃)	工作温度 Working emperature ℃ Dry	链板重量 Weight Kg/m ²	销轴材质 Pin material	链网材质 Belt Material	链网宽度 Belt Width		
								模块宽度 Mold parts Width		标准组合拼装 Standard Assembly Width
5997-RR	50.8	75	29000	4-104	10.3	PP	XPHS	152.4	304.8	W=304.8*N
								切割链网宽度 Cut Belt Width		
								304.8毫米增量递增 304.8mm increments		

2000链轮-主动链轮 Sprocket-Drive Wheel



链轮型号 Sprocket Type	齿数 Number of Teeth	孔径 Bore mm	分度圆 Pitch Diameter mm	齿顶圆 Out Side Diameter mm	规格 Standstd
2000-T13-ZD	13	65X65	212.3	209	注塑 injection
2000-T13-ZD	13	90X90	212.3	209	
2000-T16-ZD	16	65X65	260.4	262	
2000-T16-ZD	16	90X90	260.4	262	
1005-T16-ZD	16	120X120	260.4	262	

5997链轮-主动链轮 Sprocket-Drive Wheel



链轮型号 Sprocket Type	齿数 Number of Teeth	孔径 Bore mm	分度圆 Pitch Diameter mm	齿顶圆 Out Side Diameter mm	规格 Standstd
5997-T9-ZD	9	40X40	167.1	166	注塑 injection
		50X50			
		60X60			
5997-T14-ZD	9	50X50	257	257	
		80X80			
		90X90			

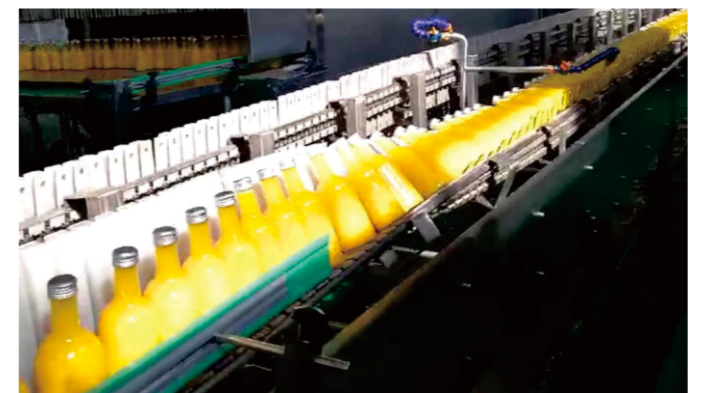
产品使用工况展示

Shows for Products Running Working Cionditions

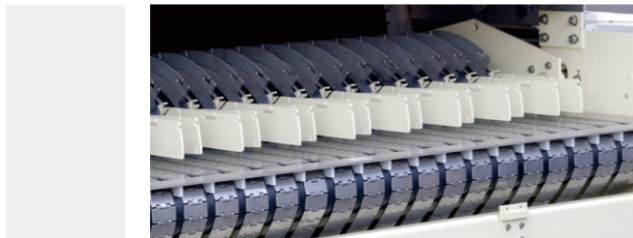
空容器输送 Empty Container Conveying



喷淋杀菌输送
Spray Sterilization
Conveying



洗瓶机输送 Bottle Washer Conveying



堆积输送 Pile Conveying

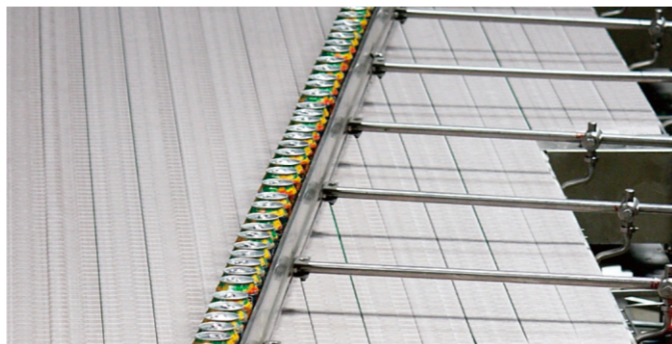


灌装输送
Filling
Conveying

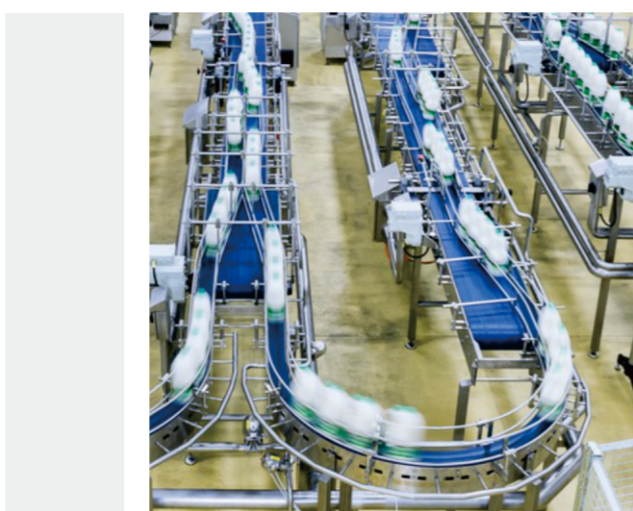


产品使用工况展示

Shows for Products Running Working Cionditions



乳制品输送 Dairy Conveying



后道包装输送 End Process of Pack

