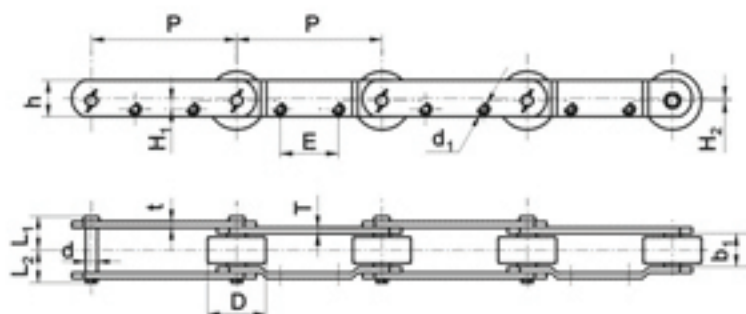


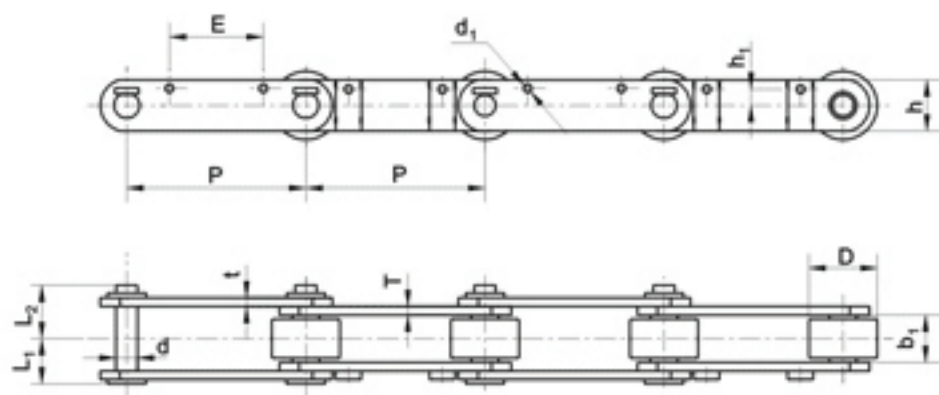
啤酒灌装线滚子输送链·杀菌机链

Beer Canned Line Roller Conveyor Chains · Sterilizing Machine Chains



E	d ₁	H ₁	H ₂
mm	mm	mm	mm
80	M10	12	3

链号 Chain No.	节距 Pitch P mm	内节内宽 Width between inner plates b ₁ (min) mm	滚子 外径 Roller diameter D(max) mm	销轴 Pin			链板 Plate		最小抗拉 强度 Ultimate tensile strength Q (min) kN	每米净重 Weight per meter q kg/m
				d mm	L ₁ mm	L ₂ mm	h mm	t/T mm		
CK-200S	200	26	80	16	33.5	37.5	50	8	160	12.5



E	d ₁	h ₁
mm	mm	mm
110	M12*1.25	20

链号 Chain No.	节距 Pitch P mm	内节内宽 Width between inner plates b ₁ (min) mm	滚子 外径 Roller diameter D (max) mm	销轴 Pin			链板 Plate		最小抗拉 强度 Ultimate tensile strength Q (min) kN	每米净重 Weight per meter q kg/m
				d mm	L ₁ mm	L ₂ mm	h mm	t/T mm		
CK-210S	210	35	79	25	41.7	43.7	60	10	343	18.9