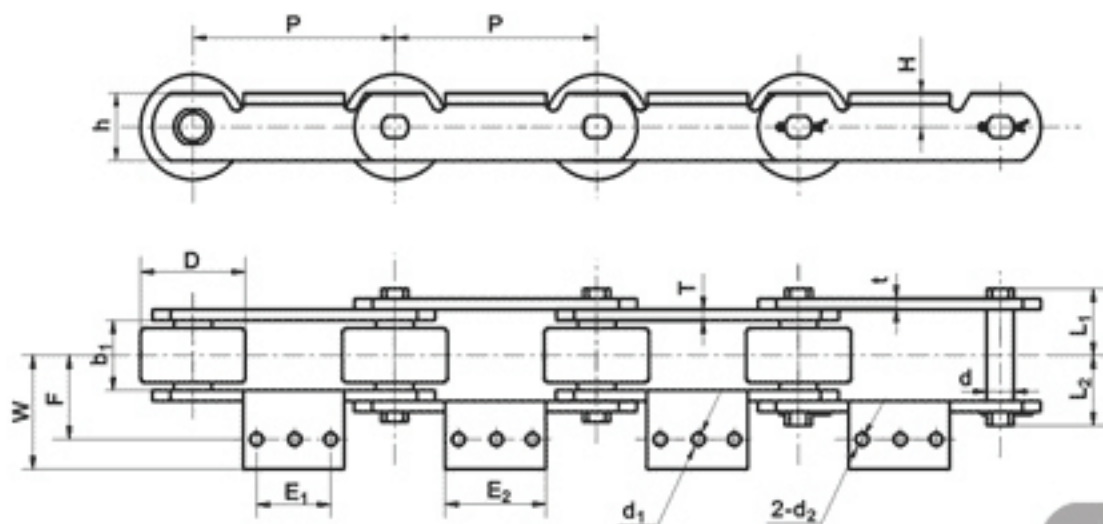


啤酒灌装线滚子输送链·洗瓶机链

Beer Canned Line Roller Conveyor Chains · Bottle Washer Chains



链号 Chain No.	F mm	E ₁ mm	E ₂ mm	W mm	H mm	d ₁ mm	d ₂ mm
CK-140X	69	50	76	83	25	M16	11.1
CK-155X	55	65	99	70	30	M12	M12
CK-155XD	55	65	99	70	30	M12	M12
CK-155XE	55	65	84	69	30.5	M12	M12
CK-165XA	69	50	75	83	25	12	M12
CK-165XB	69	50	75	83	25	M16	12
CK-165XE	69	50	75	83	25	M16	10.6

链号 Chain No.	节距 Pitch P mm	内节内宽 Width between inner plates b ₁ (min) mm	滚子 外径 Roller diameter D (max) mm	销轴 Pin			链板 Plate		最小抗拉 强度 Ultimate tensile strength Q (min) kN	每米净重 Weight per meter q kg/m
				d mm	L ₁ mm	L ₂ mm	h mm	t/T mm		
CK-140X	140	40	80	20	41	45	50	8	210	20.2
CK-155X	155	38	97	20	39.6	44.8	50	8	196	22.8
CK-155XD	155	34	80	20	37.3	42.5	50	8	196	18.7
CK-155XE	155	38	97	25	42.5	47.5	60	8	346	24.8
CK-165XA	165	39.8	80	20	41	46	50	8	190	17.6
CK-165XB	165	39.8	80	20	41	46	50	8	190	17.7
CK-165XE	165	39.8	80	20	41	46	50	8	190	17.7