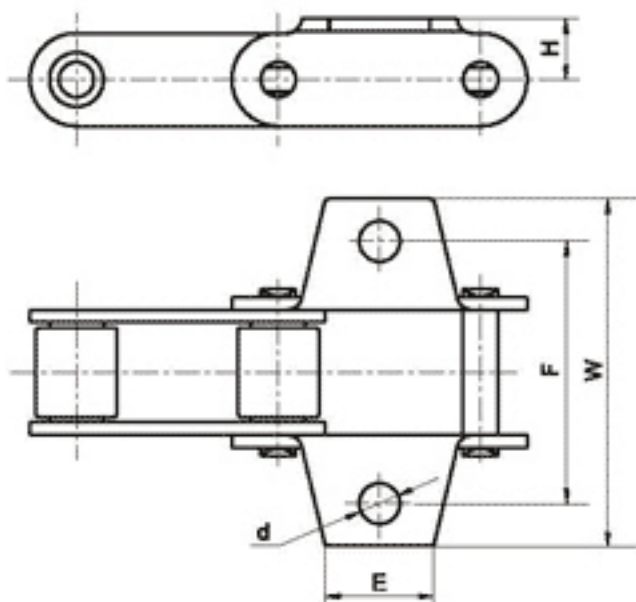
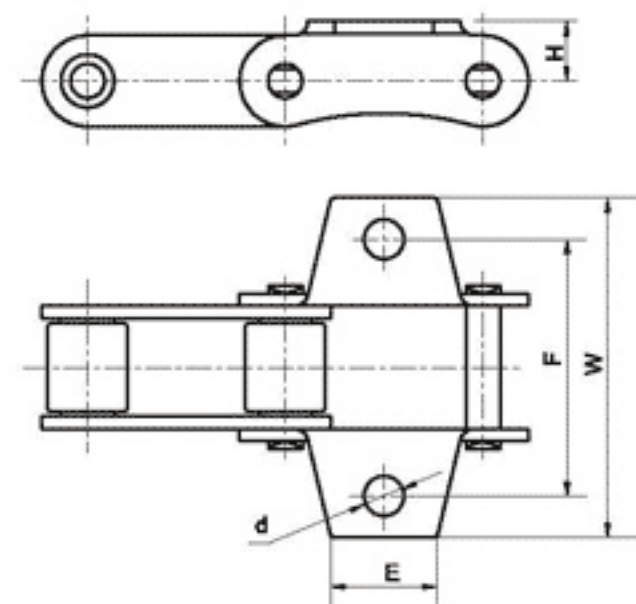


CA系列农用滚子链附件

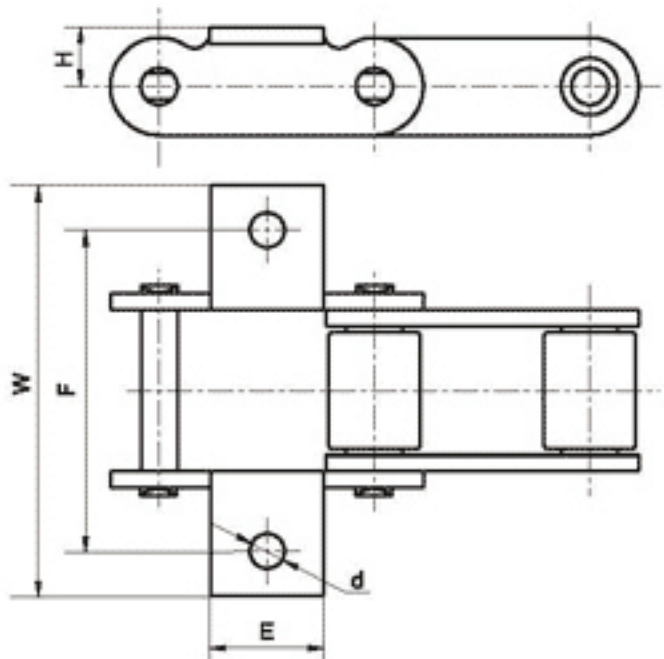
CA Series Agricultural Roller Chains - Attachments



Type	链号 Chain No.	F mm	d mm	W mm	E mm	H mm
BK19	CA550	50.8	6.75	71.4	22.2	12.7
K19	CA550	50.8	9	71.4	22.2	12.7
K29	CA550	54	8.33/10	71.4	22.2	12.7
BK ₁ · C ₁	CA550	50.8	8.33	71.4	22.2	12.7
BK ₁ · C ₃	CA550	50.8	8.7	71.4	22.2	12.7
BK ₁ · C ₇	CA550	54	8.5	71.4	22.2	12.7
BK ₁	CA557	50.8	8.7	72	22	15.9



Type	链号 Chain No.	F mm	d mm	W mm	E mm	H mm
BK ₁ · N ₂	CA550	54	9.9	73.6	22.2	12.7
BK ₁	CA550H	54	8.5	71.8	22.2	12.7



Type	链号 Chain No.	F mm	d mm	W mm	E mm	H mm
BK ₁	CA820	62.7	6.75	80.2	22.2	11.5