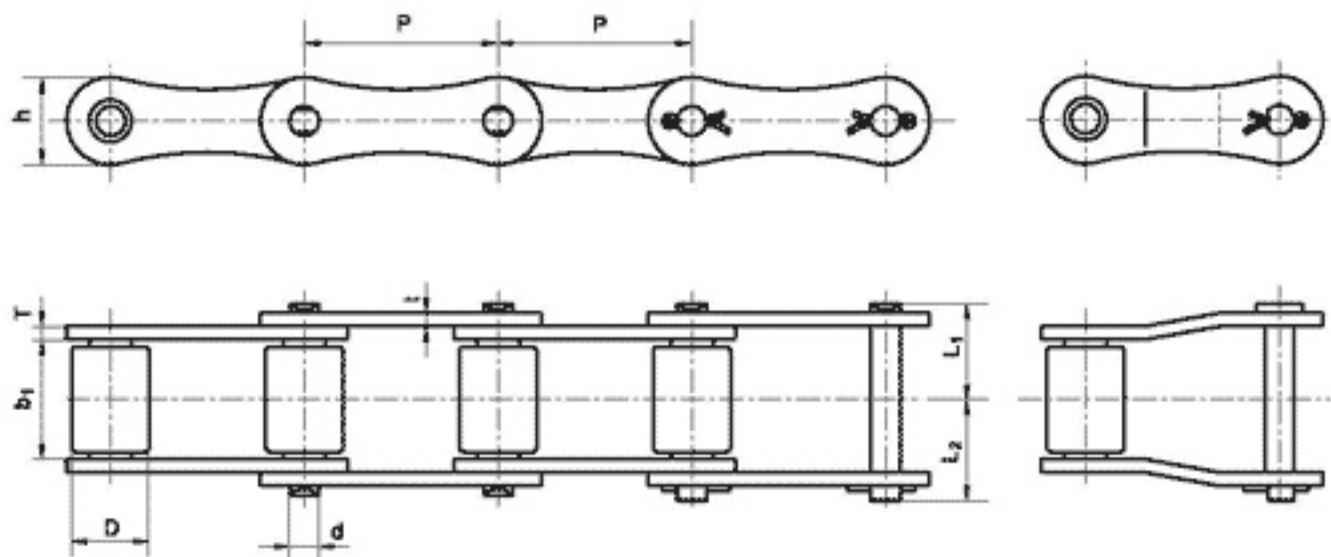


S、A系列农用滚子链

S & A series Agricultural Roller Chains



链号 Chain No.	节距 Pitch P mm	内节内宽 Width between inner plates b ₁ (min) mm	滚子 外径 Roller diameter D (max) mm	销轴 Pin			链板 Plate		最小抗拉 强度 Ultimate tensile strength Q _{min} kN	平均拉 伸强度 Average tensile strength Q ₀ kN	每米净重 Weight per meter q kg/m
				d mm	L ₁ mm	L ₂ mm	h mm	t/T mm			
*S32	29.21	18.25	11.43	4.45	13.35	15.65	13.4	1.8	18	21	0.92
S42	34.93	19.75	14.27	7.01	17.1	20	19.7	2.62	26.7	48	1.84
S45	41.40	22.95	15.24	5.74	18.45	20.45	17.2	2.62	17.8	35	1.59
S51	38.1	16	15.24	5.74	15	17	17.2	2.62	17.8	35	1.42
S52	38.1	22.95	15.24	5.74	18.45	20.45	17.2	2.62	17.8	35	1.78
S52LV	38.1	18.2	15.2	6.82	16.7	19.5	18.3	2.62/3	30	40	1.52
*S55	41.4	22.95	17.78	5.74	18.45	20.45	17.2	2.62	17.8	35	1.87
*S62	41.91	26.1	19.05	5.74	20	22.1	17.2	2.62	26.7	35	2.17
S77	58.34	22.7	18.26	8.82	21.65	25.15	25.8	4	44.5	72	2.69
*S88	66.27	28.58	22.86	8.82	24.85	28.35	26	4	44.5	72	3.22
S88-Ni	66.27	28.58	30	8.82	24.85	28.35	26	4	44.5	72	4.22
S413	41.3	21.4	16	8.28	19.55	22.85	20	3.2	42	58	2.04
S414	41.4	22.23	17.9	8.28	19.55	22.85	20	3.2	42	58	2.24
S414-Ni	41.4	22.23	17.78	8.28	19.55	23.65	20	3.2	45.4	58	2.22
S41.91	41.91	19.4	17	7.82	18.7	21.3	24.5	3.2	67	70	2.34
A550	41.4	20.1	16.70	7.16	17.25	20.05	19.05	2.62	39.1	48.5	1.78
A567	41.4	20.1	17.78	7.82	18.55	21.15	23.1	3.2	55.8	70	2.46
A620	42.01	24.51	17.91	7.16	20.75	23.45	19.05	3.2	39.1	55	2.29

*链条零部件有碳钢和不锈钢两种材质

* Chains: There are two kinds of materials for their component parts, which are carbon steel and stainless steel.