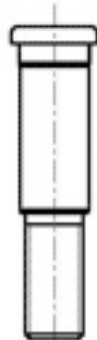
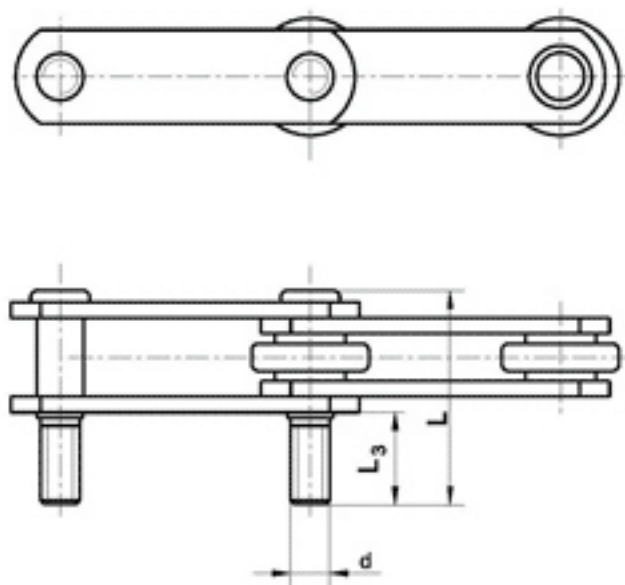


# 棕榈油链附件

## Palm Oil Chains - Attachments



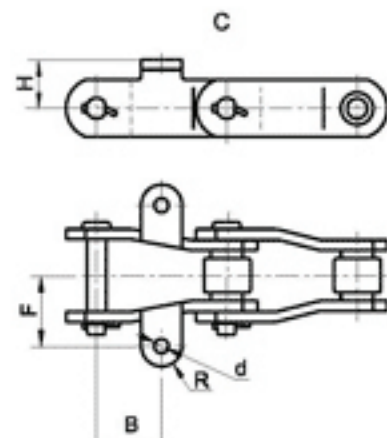
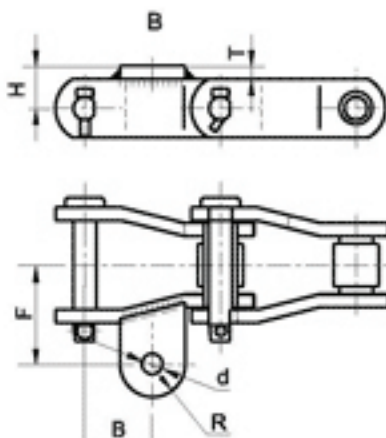
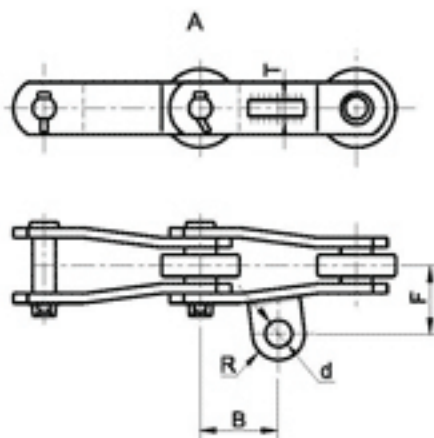
A



B

Type SD

链号 Chain No.	L mm	L <sub>3</sub> mm	d mm	Type
HS ES4P23	86.8	36	M16	A
HS B1016H	86.6	36	M16	A
HS B5289	96.8	39.7	M20	A
HS ES6P36	110.5	44	M24	A
HS 6×45000	131.5	50	M27	B



Type AS1

链号 Chain No.	H mm	T mm	B mm	F mm	R mm	d mm	Type
HS B5234	/	15	76.2	66.7	25.4	20.64	A
HS B5029	20.7	6.4	33.08	48.4	15.875	10	B
HS B5094	38.1	8	50.8	111.2	15.9	11.12	C