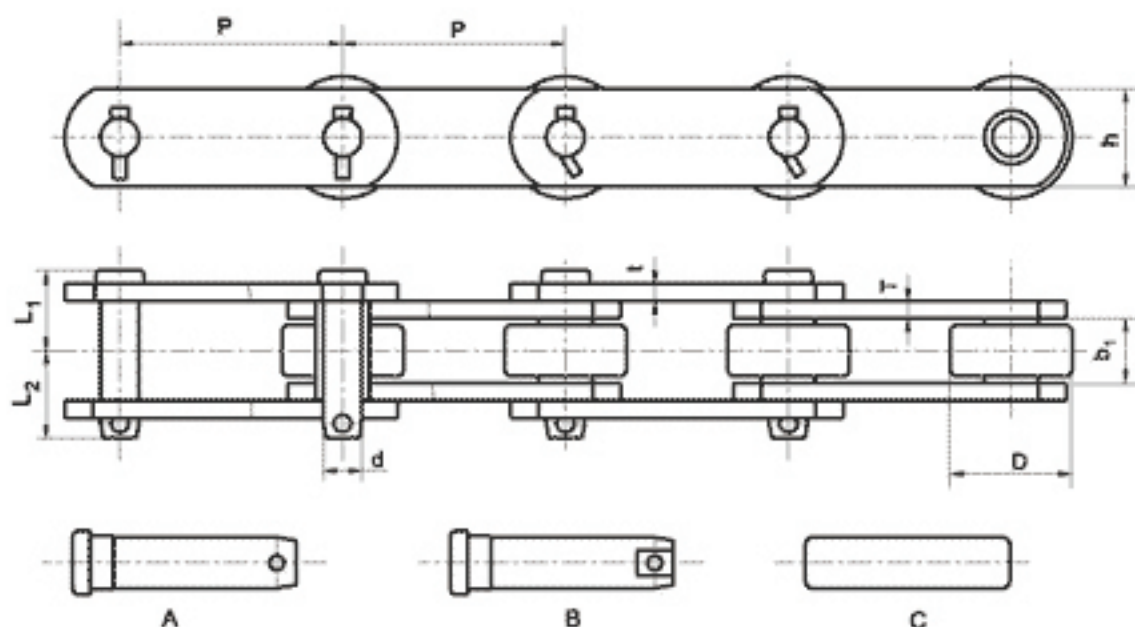


直板型棕榈油链

Palm Oil Chains with Straight Plate



链号 Chain No.	节距 Pitch P mm	内节内宽 Width between inner plates b ₁ (min) mm	滚子外径 Roller diameter D(max) mm	销轴 Pin				侧板 Plate		最小抗拉 强度 Ultimate tensile strength Q _t (min) kN	许用工作 载荷 Rated working load kN	每米净重 Weight per meter q kg/m
				d mm	L ₁ mm	L ₂ mm	Type	h mm	t/T mm			
HS B3076	76.2	15.2	31.75	13.97	21.4	26.6	A	25.8	4	33.4	3.1	3.7
*HS B1016H	101.6	19	47.63	19.05	27.7	34.3	A	38.1	6.4	135	12.6	8.21
HS B4075	101.6	15.2	31.75	13.97	21.4	26.8	A	25.8	4	33.4	3.1	3.17
PM90R	101.6	22	47.6	11.1	23.5	27.7	B	32	4.5	95	8.9	5.8
PM94R	101.6	30	50.8	14.27	32	36.7	B	38.1	6.4	158	14.4	9.88
PM94RA	101.6	23.5	48	14.27	28.6	33.8	B	38.1	6.4	158	14.4	8.54
K-S150040R-S	101.6	18.4	47.6	11.1	23.6	27.9	B	38.1	4.5/6.4	145.8	13.3	6.87
US90R	101.6	30.1	50.8	11.11	28.4	28.6	B	31.8	4.9	72.3	6.7	7.77
HS ES90-R20	101.6	21.4	47.6	11.1	25	29.9	B	32	4.9	100	9.2	6.18
HS ES4P23	101.6	19.05	47.63	19.05	25.2	30.8	A/C	38.1	5.1	95	8.8	7.29
HS 4×15000	101.6	18.9	47.63	19.05	24.5	30.1	C	40	5/6	66.7	6.1	7.44
HS 4×18000	101.6	19	47.6	19	23.2	26.8	A	40	5	80	7.4	6.89
HS6×30000	152.4	25.4	56.7	26.9	33.9	40.9	A	50.8	6	133	14.6	10.36
HS B5289	152.4	25	66.8	22.07	30.5	37.1	A	50.8	6.4	178	17.3	11.35
HS B5257	152.4	36	34.95	17.4	39.7	46.8	B	44.45	8	223	21.8	9.19
HS B5326H	152.4	19	47.5	19.05	24.9	31.6	A	38.1	5	88.9	8.5	5.78
HS ES6P36	152.4	25.4	66.7	26.9	37.1	43.9	A	50.8	7.8	215	20.2	13.43
HS B5305	160	37.8	70	17.48	37.2	43.9	A	50.8	6.4	245	22.8	13.55

*链条零部件有碳钢和不锈钢两种材质。

*Chain: There are two kinds of materials for the component parts, which are Carbon steel and stainless steel.